

Developed for demanding and harsh environments



Designed in Denmark

No job too tough, sustainable development and growth

Minimized environmental impact, ecological sustainability

Lower operating cost, reduce water waste

Contents

NHK Group Company Profile.....	3
Hygienic machine feet	5
Welding plate for Machine feet and Stainless feet.....	15
Threaded plastic bushings with brass inserts	16
Tripod and Bipod	16
Side guide in hygienic stainless steel design.....	17
Hygienic corner nut and spacer in stainless steel.....	23
Castor with stainless steel brackets and bearings	24
Waterproof bearing units IP67	40
Thermo plastic bearing units.....	45
Stainless steel bearing units	54
Closed and open cover for bearing units	63
Stainless Steel Bearing Insert.....	64
Mini stainless steel flange bearing unit	68
Closed and open cover for mini bearing units.....	72
Stainless Steel Mini Bearing Insert	73
Stainless Steel Grease Fittings.....	75
NBR Oil seal DIN 3760 with stainless steel spring	75
Sustainable and responsible production	76
Member of NHK Group	76

NHK Group Company Profile

NHK Group is an international company of Nordic origin, widely recognised for its roots in the Nordic workmanship. We appreciate and understand the challenges faced by manufacturers and we use our unique expertise and experience to supply high quality products for the food and drug processing industry.



NHK Group is founded in 2005 with industry know-how drawn from 25 years of experience, we are experts at putting the right pieces in place to help you increase reliability, reduce downtime, lower operating costs, minimize giveaway - and stay competitive!

Our products are used and a large variety of industries, food and drug production, medical equipment, animal welfare and training industry, oils and gas industry, packaging machinery, meat & poultry processing equipment, Dairy processing machines, etc.

Minimized environmental impact
Ecological sustainability
Lower operating cost

less water and cleaning agent usage
100% recyclable materials
reduced down time for cleaning and maintenance

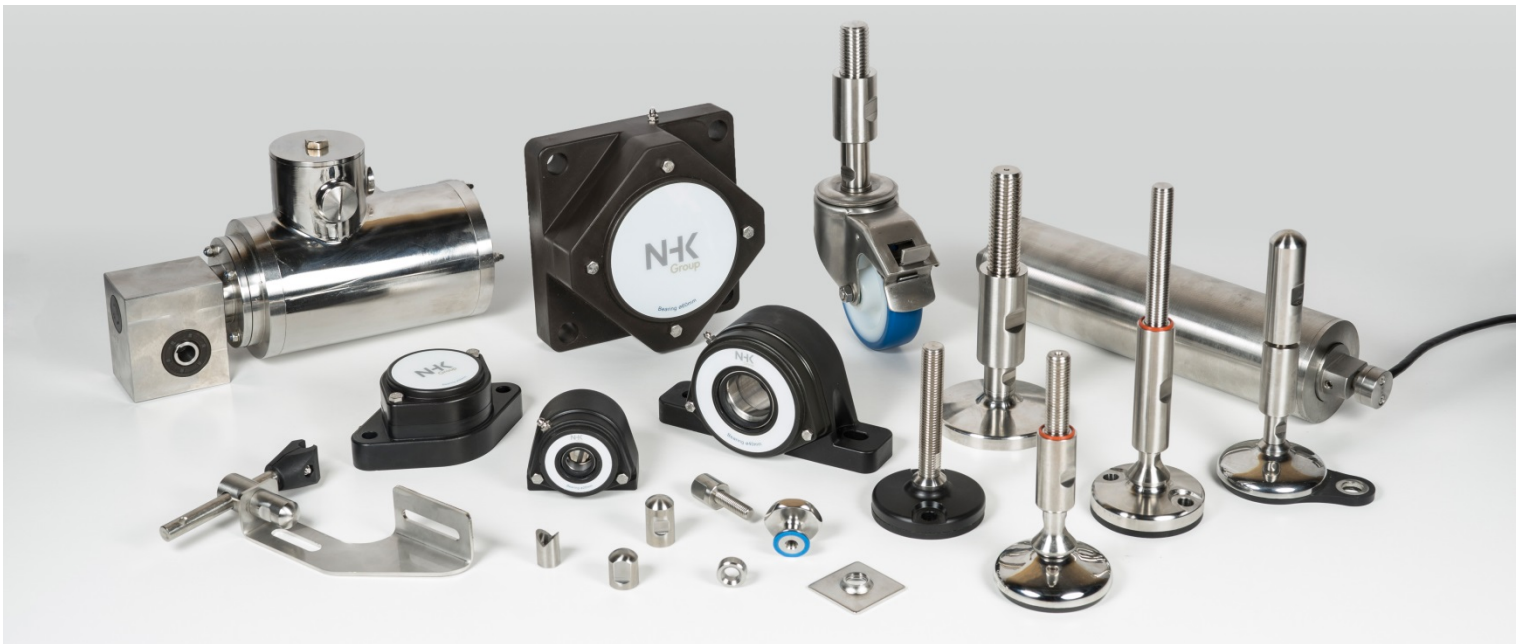
We continuously innovate and design our products to satisfy the increasing requirements for a sustainable development and growth

Risk Management for the processing industry

NHK Group is a leading global provider of hygienic machine parts for advanced machine systems for food processing, drug production, medical equipment, animal welfare and training industry, oils and gas industry, packaging machinery, meat & poultry processing equipment, Dairy processing machines, etc.

At NHK Group continuously adopt new technologies to ensure our leading position in development and design of cutting edge hygienic machine parts

It takes attention to many details to create a profitable processing business, including the freshness of ingredients, the right equipment and a dedicated, service-oriented workforce.



All processing businesses depend heavily on their equipment, much of which is highly automated. Imagine what would happen to a food business if the refrigeration were not working properly. When a mechanical failure takes place, the business often must close and face a loss of income.

Equipment Risk Management: Do not compromise the food safety on your machinery and avoid down time on your food processing machinery. Use cutting edge hygienic machinery parts, such as IP67 waterproof bearing unit and stainless levelling feet with FDA certificate and design according to 3A and EHEDG regulation

All our hygienic machine parts are designed with a smooth surface without any unnecessary ribs, flanges, recesses or mounting holes, minimising the risk of hidden sources of contamination. The smooth surface makes the cleaning easier and makes the use of a traditional shield unnecessary, which also minimises the risk of hidden contamination.

Avoid contamination of food through inadequately designed processing equipment and improve food safety without operating costs for cleaning and production hygiene skyrocketing. Our hygienic machinery parts are used by leading food processing equipment manufacturers, our hygienic machinery parts designed for harsh environments under tough conditions.

Hygienic machine feet

Our machine feet series are designed for the industries where continuously heavier demands on the material resistance and a design for easy-to-clean. Industries like: Medical equipment, Food & drug processing equipment, Packaging machinery, 3A design-meat & poultry processing equipment, Dairy processing machines

Features and advantages of our extra hygienic leveling system feet:

The spindles are smooth at the end towards the base and a sleeve to ensure easy cleaning protects the threads. The sleeve also functions as a nut.

Features and advantages of our special sealed hygienic leveling system feet:

The spindle and base are sealed with silicone Oval-ring

The sleeve is sealed with silicone O-ring to the smooth end of the spindle and is sealed to the mounting plate with silicone Oval-ring. The sleeve also functions as a nut.

These features make our special sealed hygienic feet comply with 3A and EHEDG requirements



Machine feet material

Base plate Stainless steel 304 (Aisi 1.4301) or 316L (Aisi 1.4404)

Spindle Stainless steel A2-70 or A4-70

Rubber base NBR Rubber (Nitrile rubber CAS no. 9005-98-5)

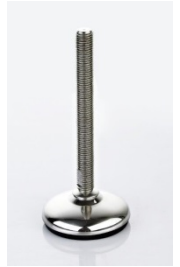
FDA Certificate according to FDA CFR 21 177 2600

All materials are highly resistant to chemicals and commonly applied cleaning agents and to resistant oils and fats.

HMF hygienic machine feet

The hygienic machine feet have a rounded and hygienic design which makes it easy to clean and suitable for demanding sanitary applications.

HMF Base	HMF 60	HMF 80	HMF 100	HMF 120
Base Diameter D	60 mm	80 mm	100 mm	120 mm
Base Height A	24 mm	28 mm	32 mm	36 mm
Nom. Load	7.000 N	15.000 N	20.000 N	30.000 N



HMF Base with lock eye	HMF 61	HMF 81	HMF 101	HMF 121
Base Diameter D	60 mm	80 mm	100 mm	120 mm
Base Height A	24 mm	28 mm	32 mm	36 mm
Lock eye hole from center G	45 mm	58 mm	68 mm	83 mm
Lock eye hole diameter E	13 mm	15 mm	17 mm	19 mm
Nom. Load	7.000 N	15.000 N	20.000 N	30.000 N



The stainless steel 1.4301 base plate are embedded with FDA certified (FDA CFR 21 177 2600) anti-slip rubber with unique batch ID number for food safety traceability.

HMF A2-70 spindle threads: M10, M12, M16, M20, M24, M30, M36, M42 and M48

HMF A2-70 Spindle (L) length

50mm, 70mm, 100mm, 120mm, 150mm, 180mm, 200mm, 230mm, 280mm and 330mm

For other threaded spindle length (L), please contact us

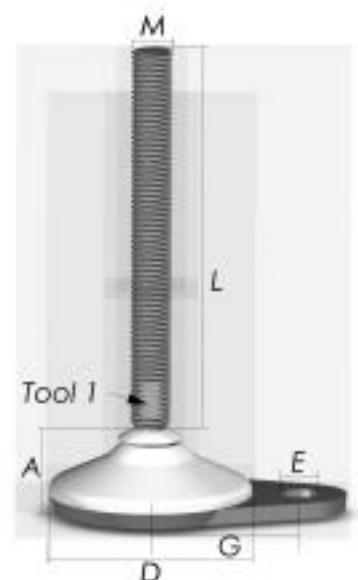
Threads in inch is available upon request

The thread can also be customized according to specific request, ex trapezoid thread etc.



The joint, where the hygienic stainless base plate and A2-70 spindles are assembled, can cope with up to 10 degree slopes on floors and equipment.

The hygienic machine feet are easy to clean and are approved by the food processing industry.



EHMF Extra hygienic machine feet

The spindles are smooth at the end towards the base and the sleeve covers the thread. These features ensure easy cleaning and protect the threads. The sleeve functions as a nut.

EHMF Base	EHMF 60	EHMF 80	EHMF 100	EHMF 120
Base Diameter D	60 mm	80 mm	100 mm	120 mm
Base Height A	24 mm	28 mm	32 mm	36 mm
Nom. Load	7.000 N	15.000 N	20.000 N	25.000 N



EHMF Base with lock eye	EHMF 61	EHMF 81	EHMF 101	EHMF 121
Base Diameter D	60 mm	80 mm	100 mm	120 mm
Base Height A	26 mm	28 mm	32 mm	36 mm
Lock eye hole from center G	45 mm	58 mm	68 mm	83 mm
Lock eye hole diameter E	13 mm	15 mm	17 mm	19 mm
Nom. Load	7.000 N	15.000 N	20.000 N	25.000 N



The stainless steel 1.4301 base plate are embedded with FDA certified (FDA CFR 21 177 2600) anti-slip rubber with unique batch ID number for food safety traceability.

EHMF A2-70 spindle and sleeve threads: M12, M16, M20, M24, M30, M36, M42 and M48

EHMF A2-70 Spindle (L) and Sleeve (H) Length

L=140 mm	H=55 mm	Adjustable height Min 80 mm – Max 120 mm
L=180 mm	H=75 mm	Adjustable height Min 100 mm – Max 160 mm
L=220 mm	H=95 mm	Adjustable height Min 120 mm – Max 200 mm
L=260 mm	H=115 mm	Adjustable height Min 140 mm – Max 240 mm
L=300 mm	H=125 mm	Adjustable height Min 160 mm – Max 280 mm

For other threaded spindle length (L), please contact us
Threads in inch is available upon request



The joint, where the hygienic stainless base plate and A2-70 spindles are assembled, can cope with up to 10 degree slopes on floors and equipment.

The extra hygienic machine feet have a rounded and hygienic design which makes it easy to clean and suitable for demanding sanitary applications.

The design of the EHMF system reduces the cleaning cost and effort to an absolute minimum.

SHMF Sealed hygienic machine feet

The special hygienic machine feet have a rounded and hygienic design which makes it easy to clean and suitable for demanding sanitary applications. The spindle and base are sealed with silicone O-ring. The sleeve is sealed with silicone O-ring to the smooth end of the spindle and sealed to the mounting place at the equipment with silicone Oval-ring. The sleeve also functions as a nut.



SHMF Base	SHMF 60	SHMF 80	SHMF 100	SHMF 120
Base Diameter D	60 mm	80 mm	100 mm	120 mm
Base Height A	24 mm	28 mm	32 mm	36 mm
Nom. Load	7.000 N	15.000 N	20.000 N	25.000 N

SHMF Base with lock eye	SHMF 61	SHMF 81	SHMF 101	SHMF 121
Base Diameter D	60 mm	80 mm	100 mm	120 mm
Base Height A	26 mm	28 mm	32 mm	36 mm
Lock eye hole from center G	45 mm	58 mm	68 mm	83 mm
Lock eye hole diameter E	13 mm	15 mm	17 mm	19 mm
Nom. Load	7.000 N	15.000 N	20.000 N	25.000 N

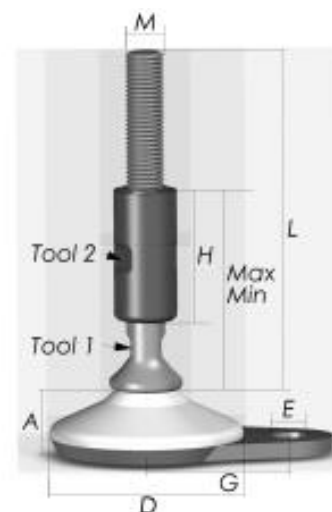
The stainless steel 1.4301 base plate are embedded with FDA certified (FDA CFR 21 177 2600) anti-slip rubber with unique batch ID number for food safety traceability and comply with 3A and EHEDG regulation.

SHMF A2-70 spindle and sleeve threads: M12, M16, M20, M24, M30, M36, M42 and M48

SHMF A2-70 Spindle (L) and Sleeve (H) Length

L=140 mm	H=55 mm	Adjustable height Min 80 mm – Max 120 mm
L=180 mm	H=75 mm	Adjustable height Min 100 mm – Max 160 mm
L=220 mm	H=95 mm	Adjustable height Min 120 mm – Max 200 mm
L=260 mm	H=115 mm	Adjustable height Min 140 mm – Max 240 mm
L=300 mm	H=125 mm	Adjustable height Min 160 mm – Max 280 mm

For other threaded spindle length (L), please contact us
Threads in inch is available upon request



The joint, where the hygienic stainless base plate and A2-70 spindles are assembled, can cope with up to 10 degree slopes on floors and equipment.

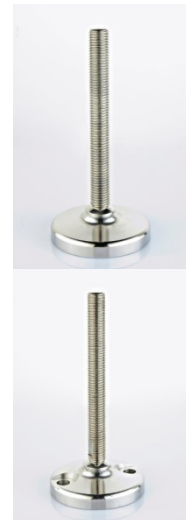
The SHMF leveling system are approved for machines and equipment for the dairy-, brewery and pharmaceutical industry, applications with the highest demands for hygiene and cleaning. The SHMF leveling system complies with 3A and EHEDG regulation

HSF Hygienic stainless feet

The hygienic stainless solid base feet have a rounded and hygienic design which makes it easy to clean and suitable for demanding sanitary applications.

HSF Base	HSF 58	HSF 78	HSF 98	HSF 118	HSF 138
Base Diameter D	58 mm	78 mm	98 mm	118 mm	138 mm
Base Height A with rubber	30 mm	30 mm	35 mm	40 mm	45 mm
Base Height B without rubber	25 mm	25 mm	30 mm	35 mm	40 mm

HSF Base with lock eye		HSF 79	HSF 99	HSF 119	HSF 139
Base Diameter D		78 mm	98 mm	118 mm	138 mm
Base Height A with rubber		30 mm	35 mm	40 mm	45 mm
Base Height B without rubber		25 mm	30 mm	35 mm	40 mm
Lock eye hole diameter E		11 mm	13 mm	17 mm	21 mm



Nominal load depend on the spindle threads
For other Base Diameter D, please contact us

The solid stainless steel 1.4301 base plate can be fitted with FDA certified (FDA CFR 21 177 2600) anti-slip rubber pad, for rubber pad, suffix "R" is added to numbers. ex.: HSF78-M16-L150-R

HSF A2-70 spindle threads: M10, M12, M16, M20, M24, M30, M36, M42 and M48

HSF A2-70 Spindle (L) length

50mm, 70mm, 100mm, 120mm, 150mm, 180mm, 200mm, 230mm, 280mm and 330mm

For other threaded spindle length (L), please contact us

Threads in inch is available upon request

The thread can also be customized according to specific request, ex trapezoid thread etc.



The joint, where the hygienic stainless base plate and A2-70 spindles are assembled, can cope with up to 10 degree slopes on floors and equipment.

The hygienic stainless leveling feet are easy to clean and are approved by the food processing industry.

This high load capacity model has a smooth rounded design for ease cleaning



EHSF Extra hygienic stainless feet

The spindles are smooth at the end towards the base and the sleeve covers the thread. These features ensure easy cleaning and protect the threads. The sleeve functions as a nut.

EHSF Base	EHSF 58	EHSF 78	EHSF 98	EHSF 118	EHSF 138
Base Diameter D	58 mm	78 mm	98 mm	118 mm	138 mm
Base Height with rubber	30 mm	30 mm	35 mm	40 mm	45 mm
Base Height without rubber	25 mm	25 mm	30 mm	35 mm	40 mm



EHSF Base with lock eye		EHSF 79	EHSF 99	EHSF 119	EHSF 139
Base Diameter D		78 mm	98 mm	118 mm	138 mm
Base Height with rubber		30 mm	35 mm	40 mm	45 mm
Base Height without rubber		25 mm	30 mm	35 mm	40 mm
Lock eye hole diameter E		11 mm	13 mm	17 mm	21 mm

Nominal load depend on the spindle threads
For other Base Diameter D, please contact us

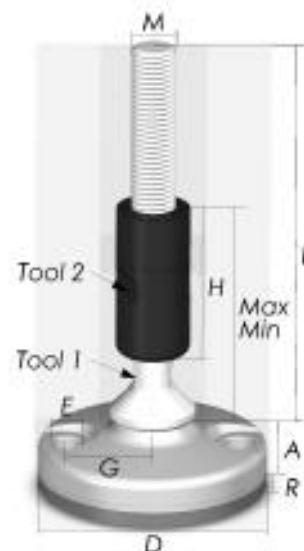
The solid stainless steel 1.4301 base plate can be fitted with FDA certified (FDA CFR 21 177 2600) anti-slip rubber pad, for rubber pad, suffix "R" is added to numbers. ex.: EHSF78-M16-L140-R

EHSF A2-70 spindle and sleeve threads: M12, M16, M20, M24, M30, M36, M42 and M48

EHSF A2-70 Spindle (L) and Sleeve (H) Length

L=140 mm	H=55 mm	Adjustable height Min 80 mm – Max 120 mm
L=180 mm	H=75 mm	Adjustable height Min 100 mm – Max 160 mm
L=220 mm	H=95 mm	Adjustable height Min 120 mm – Max 200 mm
L=260 mm	H=115 mm	Adjustable height Min 140 mm – Max 240 mm
L=300 mm	H=125 mm	Adjustable height Min 160 mm – Max 280 mm

For other threaded spindle length (L), please contact us
Threads in inch is available upon request



The joint, where the hygienic stainless base plate and A2-70 spindles are assembled, can cope with up to 10 degree slopes on floors and equipment.

The extra hygienic stainless solid base feet have a rounded and hygienic design which makes it easy to clean and suitable for demanding sanitary applications.

The design of the EHSF leveling system reduces the cleaning cost and effort to an absolute minimum.

SHSF Sealed hygienic stainless feet

The special hygienic stainless solid base feet have a rounded and hygienic design which makes it easy to clean and suitable for demanding sanitary applications. The spindle and base are sealed with silicone O-ring. The sleeve is sealed with silicone O-ring to the smooth end of the spindle and sealed to the mounting place at the equipment with silicone Oval-ring. The sleeve also functions as a nut.



SHSF Base	SHSF 58	SHSF 78	SHSF 98	SHSF 118	SHSF 138
Base Diameter D	58 mm	78 mm	98 mm	118 mm	138 mm
Base Height with rubber	30 mm	30 mm	35 mm	40 mm	45 mm
Base Height without rubber	25 mm	25 mm	30 mm	35 mm	40 mm

SHSF Base with lock eye	SHSF 79	SHSF 99	SHSF 119	SHSF 139
Base Diameter D	78 mm	98 mm	118 mm	138 mm
Base Height with rubber	30 mm	35 mm	40 mm	45 mm
Base Height without rubber	25 mm	30 mm	35 mm	40 mm
Lock eye hole diameter E	11 mm	13 mm	17 mm	21 mm



Nominal load depend on the spindle threads
For other Base Diameter D, please contact us

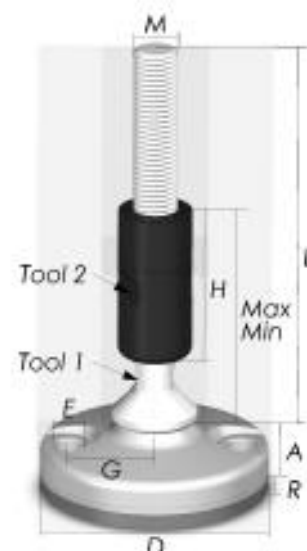
The solid stainless steel 1.4301 base plate can be fitted with FDA certified (FDA CFR 21 177 2600) anti-slip rubber pad, for rubber pad, suffix "R" is added to numbers. ex.: SHSF78-M16-L140-R

SHSF A2-70 spindle and sleeve threads: M12, M16, M20, M24, M30, M36, M42 and M48

SHSF A2-70 Spindle (L) and Sleeve (H) Length

L=140 mm	H=55 mm	Adjustable height Min 80 mm – Max 120 mm
L=180 mm	H=75 mm	Adjustable height Min 100 mm – Max 160 mm
L=220 mm	H=95 mm	Adjustable height Min 120 mm – Max 200 mm
L=260 mm	H=115 mm	Adjustable height Min 140 mm – Max 240 mm
L=300 mm	H=125 mm	Adjustable height Min 160 mm – Max 280 mm

For other threaded spindle length (L), please contact us
Threads in inch is available upon request



The joint, where the hygienic stainless base plate and A2-70 spindles are assembled, can cope with up to 10 degree slopes on floors and equipment.

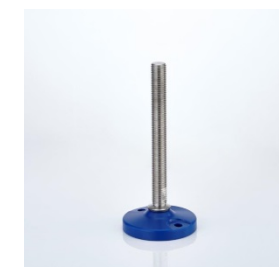
The SHSF leveling system are approved for machines and equipment for the dairy-, brewery and pharmaceutical industry, applications with the highest demands for hygiene and cleaning. The SHSF leveling system complies with 3A and EHEDG regulation

HAF Hygienic adjustable feet

The hygienic adjustable solid base feet in blue anti-bacterial POM have a solid rounded and hygienic design which makes it easy to clean and suitable for demanding sanitary applications.

HAF Base	HAF 60	HAF 80	HAF 100	HAF 120	HAF 140
Base Diameter D	60 mm	80 mm	100 mm	120 mm	140 mm
Base Height A with rubber	30 mm	30 mm	35 mm	40 mm	45 mm
Base Height B without rubber	25 mm	25 mm	30 mm	35 mm	40 mm

HAF Base with lock eye	HAF 81	HAF 101	HAF 121	HAF 141
Base Diameter D	80 mm	100 mm	120 mm	140 mm
Base Height A with rubber	30 mm	35 mm	40 mm	45 mm
Base Height B without rubber	25 mm	30 mm	35 mm	40 mm
Lock eye hole diameter E	11 mm	13 mm	17 mm	21 mm



Nominal load depend on the spindle threads
For other Base Diameter D, please contact us

The solid blue anti-bacterial POM base plate can be fitted with FDA certified (FDA CFR 21 177 2600) anti-slip rubber pad, for rubber pad, suffix "R" is added to numbers. ex.: HAF78-M16-L150-R

HAF A2-70 spindle threads: M10, M12, M16, M20, M24, M30, M36, M42 and M48

HAF A2-70 Spindle (L) length

50mm, 70mm, 100mm, 120mm, 150mm, 180mm, 200mm, 230mm, 280mm and 330mm

For other threaded spindle length (L), please contact us

Threads in inch is available upon request

The thread can also be customized according to specific request, ex trapezoid thread etc.



The joint, where the solid blue anti-bacterial POM base plate and A2-70 spindles are assembled, can cope with up to 10 degree slopes on floors and equipment.

The hygienic stainless leveling feet are easy to clean and are approved by the food processing industry.



EHAF Extra hygienic adjustable feet

The spindles are smooth at the end towards the base and the sleeve covers the thread. These features ensure easy cleaning and protect the threads. The sleeve functions as a nut.

EHAF Base	EHAF 60	EHAF 80	EHAF 100	EHAF 120	EHAF 140
Base Diameter D	60 mm	80 mm	100 mm	120 mm	140 mm
Base Height with rubber	30 mm	30 mm	35 mm	40 mm	45 mm
Base Height without rubber	25 mm	25 mm	30 mm	35 mm	40 mm



EHAF Base with lock eye		EHAF 81	EHAF 101	EHAF 121	EHAF 141
Base Diameter D		80 mm	100 mm	120 mm	140 mm
Base Height with rubber		30 mm	35 mm	40 mm	45 mm
Base Height without rubber		25 mm	30 mm	35 mm	40 mm
Lock eye hole diameter E		11 mm	13 mm	17 mm	21 mm



Nominal load depend on the spindle threads
For other Base Diameter D, please contact us

The solid blue anti-bacterial POM base plate can be fitted with FDA certified (FDA CFR 21 177 2600) anti-slip rubber pad, for rubber pad, suffix "R" is added to numbers. ex.: EHAF78-M16-L140-R

EHAF A2-70 spindle and sleeve threads: M16, M20, M24, M30, M36, M42 and M48

EHAF A2-70 Spindle (L) and Sleeve (H) Length

L=140 mm	H=55 mm	Adjustable height Min 80 mm – Max 120 mm
L=180 mm	H=75 mm	Adjustable height Min 100 mm – Max 160 mm
L=220 mm	H=95 mm	Adjustable height Min 120 mm – Max 200 mm
L=260 mm	H=115 mm	Adjustable height Min 140 mm – Max 240 mm
L=300 mm	H=125 mm	Adjustable height Min 160 mm – Max 280 mm

For other threaded spindle length (L), please contact us
Threads in inch is available upon request



The joint, where the solid blue anti-bacterial POM base plate and A2-70 spindles are assembled, can cope with up to 10 degree slopes on floors and equipment.

The extra hygienic adjustable solid base feet in blue anti-bacterial POM have a solid rounded and hygienic design which makes it easy to clean and suitable for demanding sanitary applications.

The design of the EHAF system reduces the cleaning cost and effort to an absolute minimum.

SHAF Sealed hygienic adjustable feet

Special hygienic adjustable solid base feet have a rounded and hygienic design which makes it easy to clean and suitable for demanding sanitary applications. The spindle and base are sealed with silicone O-ring. The sleeve is sealed with silicone O-ring to the smooth end of the spindle and sealed to the mounting place at the equipment with silicone Oval-ring. The sleeve also functions as a nut.



SHAF Base	SHAF 60	SHAF 80	SHAF 100	SHAF 120	SHAF 140
Base Diameter D	60 mm	80 mm	100 mm	120 mm	140 mm
Base Height with rubber	30 mm	30 mm	35 mm	40 mm	45 mm
Base Height without rubber	25 mm	25 mm	30 mm	35 mm	40 mm

SHAF Base with lock eye	SHAF 81	SHAF 101	SHAF 121	SHAF 141
Base Diameter D	80 mm	100 mm	120 mm	140 mm
Base Height with rubber	30 mm	35 mm	40 mm	45 mm
Base Height without rubber	25 mm	30 mm	35 mm	40 mm
Lock eye hole diameter E	11 mm	13 mm	17 mm	21 mm

Nominal load depend on the spindle threads
For other Base Diameter D, please contact us

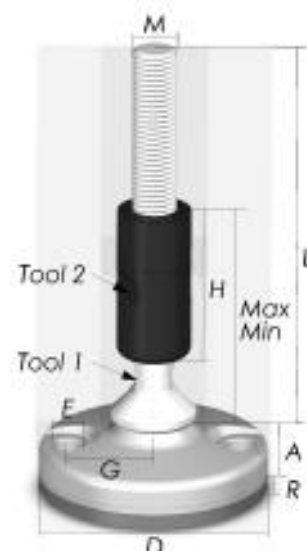
The solid blue anti-bacterial POM base plate can be fitted with FDA certified (FDA CFR 21 177 2600) anti-slip rubber pad, for rubber pad, suffix "R" is added to numbers. ex.: SHAF78-M16-L140-R

SHAF A2-70 spindle and sleeve threads: M12, M16, M20, M24, M30, M36, M42 and M48

SHAF A2-70 Spindle (L) and Sleeve (H) Length

L=140 mm	H=55 mm	Adjustable height Min 80 mm – Max 120 mm
L=180 mm	H=75 mm	Adjustable height Min 100 mm – Max 160 mm
L=220 mm	H=95 mm	Adjustable height Min 120 mm – Max 200 mm
L=260 mm	H=115 mm	Adjustable height Min 140 mm – Max 240 mm
L=300 mm	H=125 mm	Adjustable height Min 160 mm – Max 280 mm

For other threaded spindle length (L), please contact us
Threads in inch is available upon request



The base can be fitted with a FDA approved rubber pad for vibration reduction
SHAF sealed hygienic adjustable feet can cope with up to 10 degree slopes on floors and equipment.

The SHAF leveling system are approved for machines and equipment for the dairy-, brewery and pharmaceutical industry, applications with the highest demands for hygiene and cleaning. The SHAF leveling system complies with 3A and EHEDG regulation.

Welding plate for Machine feet and Stainless feet

Welding plate for square tubes

Square Welding Plate					
Thread diameter		12 mm	16 mm	20 mm	24 mm
Plate size A x B	Plate thickness				
30 x 30 mm		3mm			
35 x 35 mm		3mm	3mm		
40 x 40 mm		3mm	3mm	3mm	
45 x 45 mm		3mm	3mm	3mm	
50 x 50 mm		3mm	3mm	3mm	3mm
60 x 60 mm		4mm	4mm	4mm	4mm
70 x 70 mm		4mm	4mm	4mm	4mm
80 x 80 mm		4mm	4mm	4mm	4mm
100 x 100 mm		4mm	4mm	4mm	4mm



Welding plate for Machine feet and Stainless feet for rectangular tubes

Rectangular Welding Plate					
Thread diameter		12 mm	16 mm	20 mm	24 mm
Plate size A x B	Plate thickness				
50 x 25 mm		3mm			
50 x 30 mm		3mm	3mm		
60 x 30 mm		3mm	3mm		
60 x 40 mm		3mm	3mm	3mm	3mm
80 x 40 mm		4mm	4mm	4mm	4mm
80 x 50 mm		4mm	4mm	4mm	4mm
80 x 60 mm		4mm	4mm	4mm	4mm
100 x 50 mm		4mm	4mm	4mm	4mm
100 x 60 mm		4mm	4mm	4mm	4mm



Welding plate for Machine feet and Stainless feet for round tubes

Round Welding Plate					
Thread diameter		12 mm	16 mm	20 mm	24 mm
Plate diameter OD	Plate thickness				
OD 33 mm		3mm			
OD 38 mm		3mm	3mm		
OD 40 mm		3mm	3mm		
OD 43 mm		3mm	3mm	3mm	
OD 48 mm		3mm	3mm	3mm	
OD 50 mm		4mm	4mm	4mm	4mm
OD 60 mm		4mm	4mm	4mm	4mm



Welding plate material description:

Stainless steel 304 (Aisi 1.4301) or 316L (Aisi 1.4404)

Threaded plastic bushings with brass inserts

Threaded plastic bushings for square tubes

Threaded plastic bushings for square tubes					
Thread diameter	10 mm	12 mm	16 mm	20 mm	24 mm
Insert size A x B	Internal square size				
25 x 25 mm x 1,5mm	22,5 mm	22,5 mm			
30 x 30 mm x 1,5mm	27,5 mm	27,5 mm	27,5 mm		
35 x 35 mm x 1,5mm	32,5 mm	32,5 mm	32,5 mm	32,5 mm	
40 x 40 mm x 1,5mm	37,5 mm	37,5 mm	37,5 mm	37,5 mm	
40 x 40 mm x 2,0mm	36,5 mm	36,5 mm	36,5 mm	36,5 mm	36,5 mm
50 x 50 mm x 2,0mm	46,5 mm	46,5 mm	46,5 mm	46,5 mm	46,5 mm
50 x 50 mm x 2,5mm	45,5 mm	45,5 mm	45,5 mm	45,5 mm	45,5 mm



Threaded plastic bushings for round tubes

Threaded plastic bushings for round tubes					
Thread diameter	10 mm	12 mm	16 mm	20 mm	24 mm
Insert diameter OD	Internal diameter				
OD 33 mm x 1,5mm	30,5 mm	30,5 mm	30,5 mm		
OD 38 mm x 1,5mm	35,5 mm	35,5 mm	35,5 mm		
OD 43 mm x 1,5mm	40,5 mm	40,5 mm	40,5 mm	40,5 mm	
OD 48 mm x 1,5mm	45,5 mm	45,5 mm	45,5 mm	45,5 mm	
OD 50 mm x 1,5mm		47,5 mm	47,5 mm	47,5 mm	
OD 60 mm x 1,5mm			57,5 mm	57,5 mm	57,5 mm
OD 60 mm x 2,0mm			56,5 mm	56,5 mm	56,5 mm
OD 60 mm x 2,5mm			55,5 mm	55,5 mm	55,5 mm



Material: polyamide reinforced with fiberglass.
Threaded insert in brass or nickel plated steel

Tripod and Bipod

Bipod Specification:

2SB482 Tube ID 48.2mm

2SB509 Tube ID 50.9mm

2SB603 Tube ID 60.3mm

Tripod Specification:

3SB482 Tube ID 48.2mm

3SB509 Tube ID 50.9mm

3SB603 Tube ID 60.3mm

Outer diameter 500mm

Material: reinforced polyamide

Colour: Black

Bolt and nut in stainless steel A2-70

Brass insert in M12 or M16



For other sizes and types, please contact us

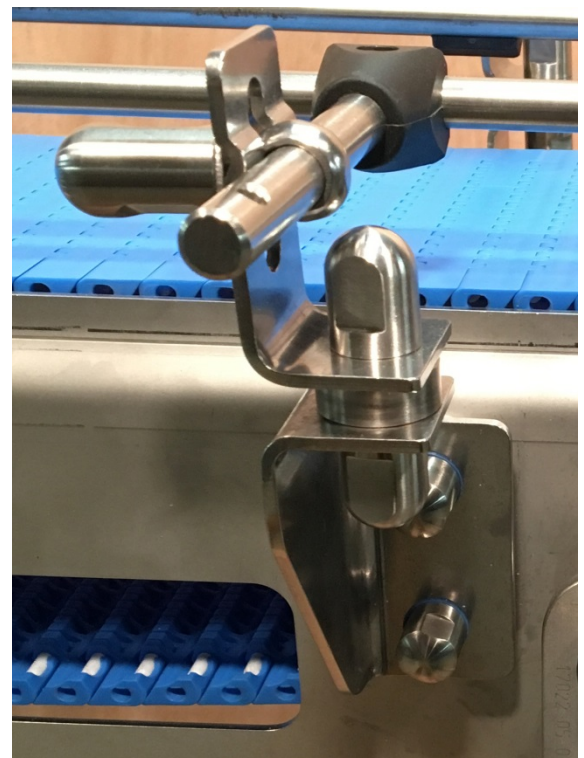
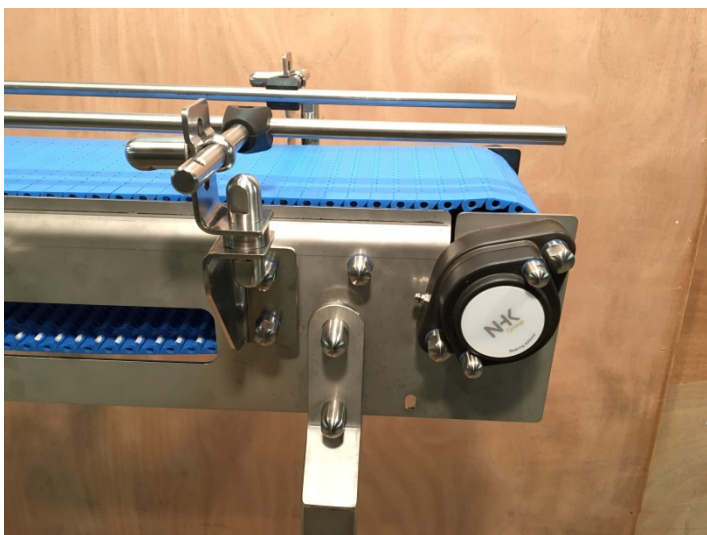
Hygienic machinery parts

Side guide in hygienic stainless steel design

For hygienic side guide and conveyor parts, please contact us, all is made according to customer design

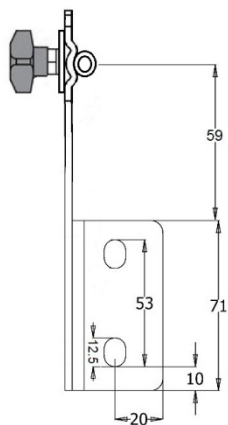


Our side guide series are designed for the industries where continuously heavier demands on the material resistance and a design for easy-to-clean. Industries like: Medical equipment, Food & drug processing equipment, Packaging machinery, 3A design-meat & poultry processing equipment, Dairy processing machines

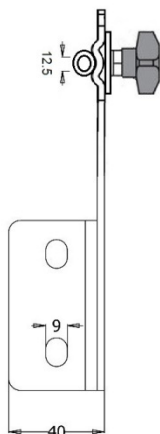
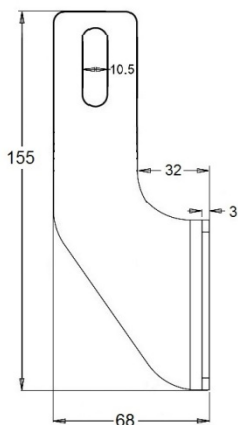


Side guide in stainless steel

Side guide SG 155-59 bracket in Stainless steel 304 (Aisi 1.4301), eyebolt and washer in stainless steel AISI 304 (Aisi 1.4301), knob in polyamide with brass insert.



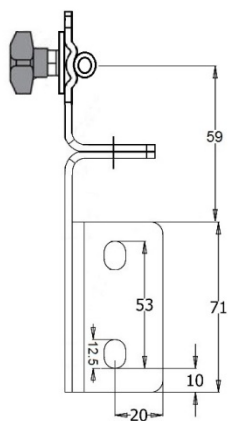
Type
Side guide SG155/59 L



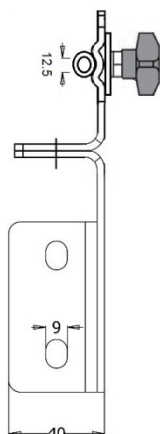
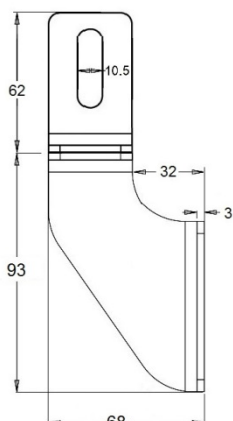
Type
Side guide SG155/59 R



Side guide SG 155-59 SW swivel bracket in Stainless steel 304 (Aisi 1.4301), eyebolt and washer in stainless steel AISI 304 (Aisi 1.4301), knob in polyamide with brass insert.



Type
Side guide SG155/59 L SW

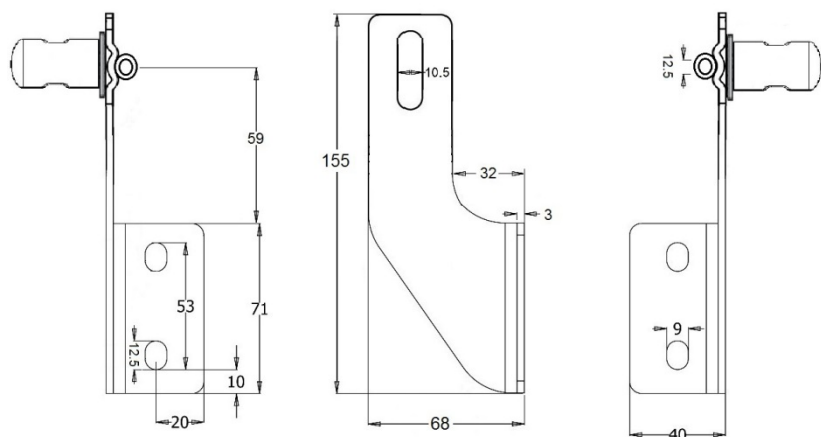


Type
Side guide SG155/59 R SW



Hygienic side guide in stainless steel

Side guide HSG 155-59 bracket in Stainless steel 304 (Aisi 1.4301), eyebolt and washer in stainless steel AISI 304 (Aisi 1.4301), stainless steel hygienic nut.

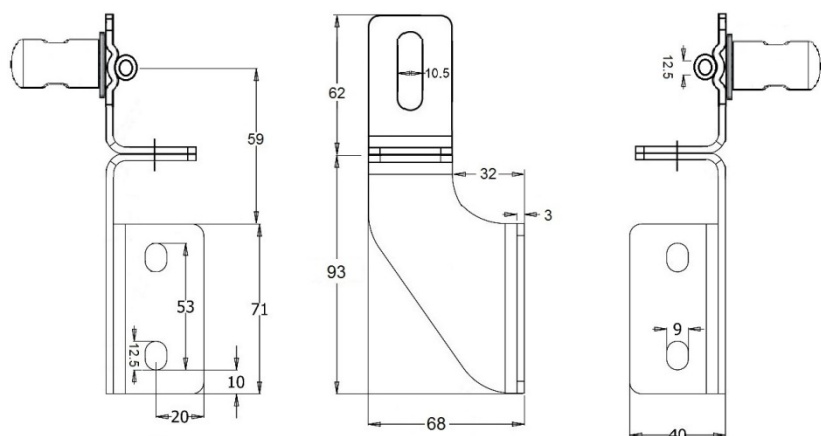


Type
Side guide HSG155/59 L

Type
Side guide HSG155/59 R



Side guide HSG 155-59 SW swivel bracket in Stainless steel 304 (Aisi 1.4301), eyebolt and washer in stainless steel AISI 304 (Aisi 1.4301), stainless steel hygienic nut.



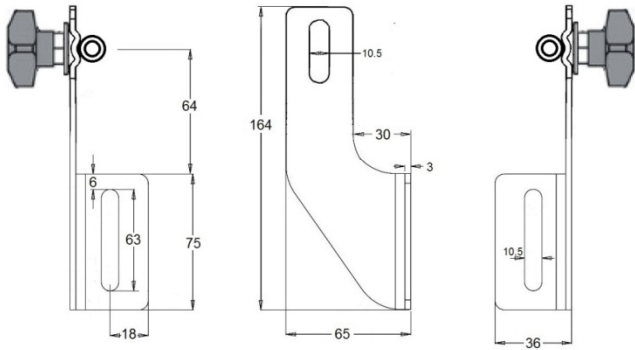
Type
Side guide HSG155/59 L SW

Type
Side guide HSG155/59 R SW



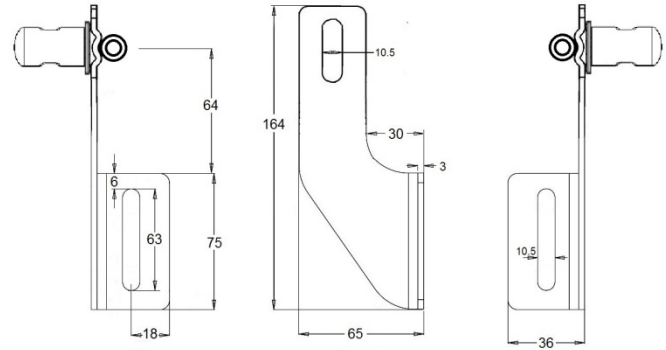
Side guide in hygienic stainless steel design

Side guide 164-64 bracket in Stainless steel 304 (Aisi 1.4301), eyebolt and washer in stainless steel AISI 304 (Aisi 1.4301), SG 164-64 knob in polyamide with brass insert or HSG 164-64 stainless steel hygienic nut.



Type
Side guide SG164/64 L

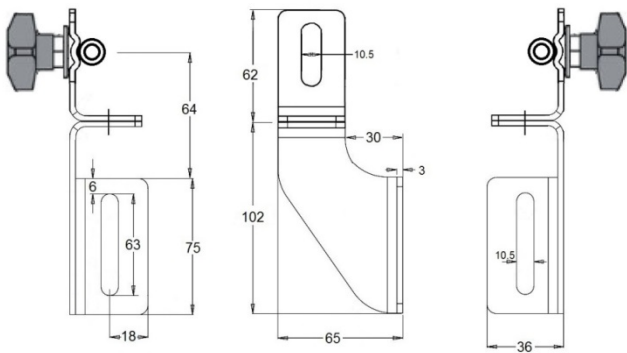
Type
Side guide SG164/64 R



Type
Side guide HSG164/64 L

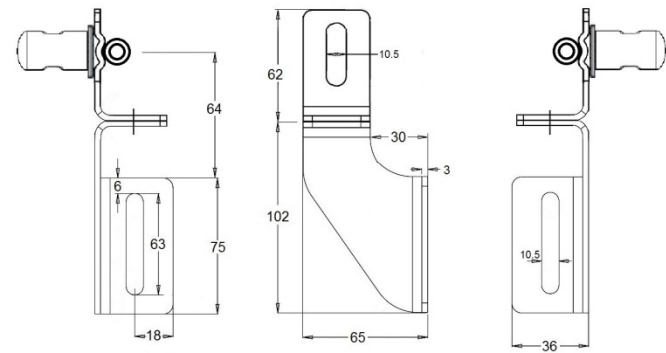
Type
Side guide HSG164/64 R

Side guide 164-64 SW swivel bracket in Stainless steel 304 (Aisi 1.4301), eyebolt and washer in stainless steel AISI 304 (Aisi 1.4301), SG 164-64 SW knob in polyamide with brass insert or HSG 164-64 SW stainless steel hygienic nut.



Type
Side guide SG164/64 L SW

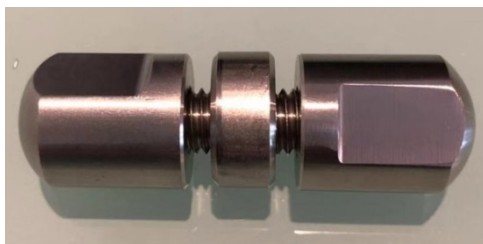
Type
Side guide SG164/64 R SW



Type
Side guide HSG164/64 L SW

Type
Side guide HSG164/64 R SW

Hygienic spacer for side guide



Hygienic spacer for side guide 10mm

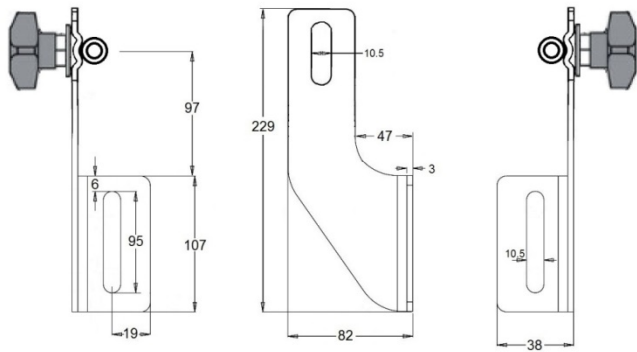
Hygienic spacer for side guide 20mm

Hygienic spacer for side guide 30mm



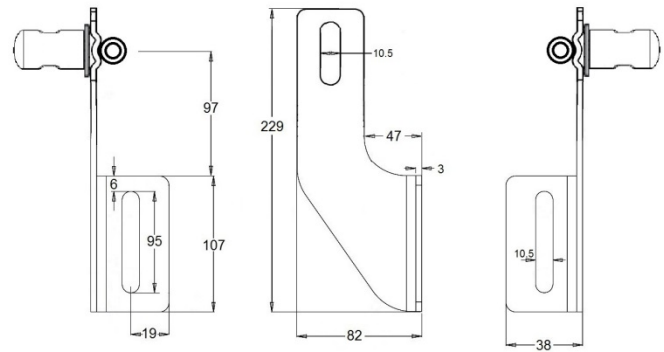
Side guide in hygienic stainless steel design

Side guide 229-97 bracket in Stainless steel 304 (Aisi 1.4301), eyebolt and washer in stainless steel AISI 304 (Aisi 1.4301), SG 229-97 knob in polyamide with brass insert or HSG 229-97 stainless steel hygienic nut.



Type
Side guide SG229/97 L

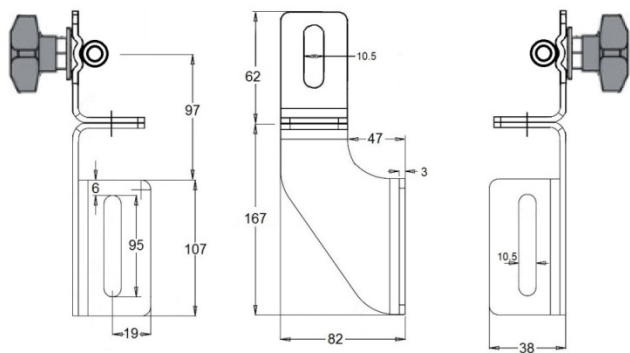
Type
Side guide SG229/97 R



Type
Side guide HSG229/97 L

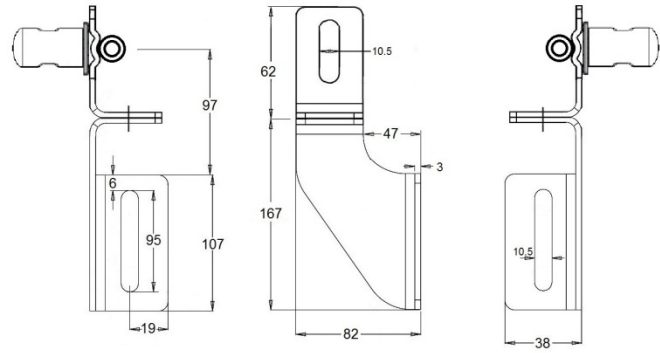
Type
Side guide HSG229/97 R

Side guide 229-97 SW swivel bracket in Stainless steel 304 (Aisi 1.4301), eyebolt and washer in stainless steel AISI 304 (Aisi 1.4301), SG 229-97 SW knob in polyamide with brass insert or HSG 229-97 SW stainless steel hygienic nut.



Type
Side guide SG229/97 L SW

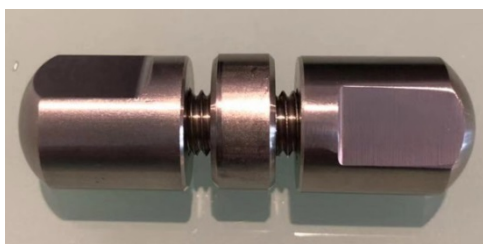
Type
Side guide SG229/97 R SW



Type
Side guide HSG229/97 L SW

Type
Side guide HSG229/97 R SW

Hygienic spacer for side guide



Hygienic spacer for side guide 10mm

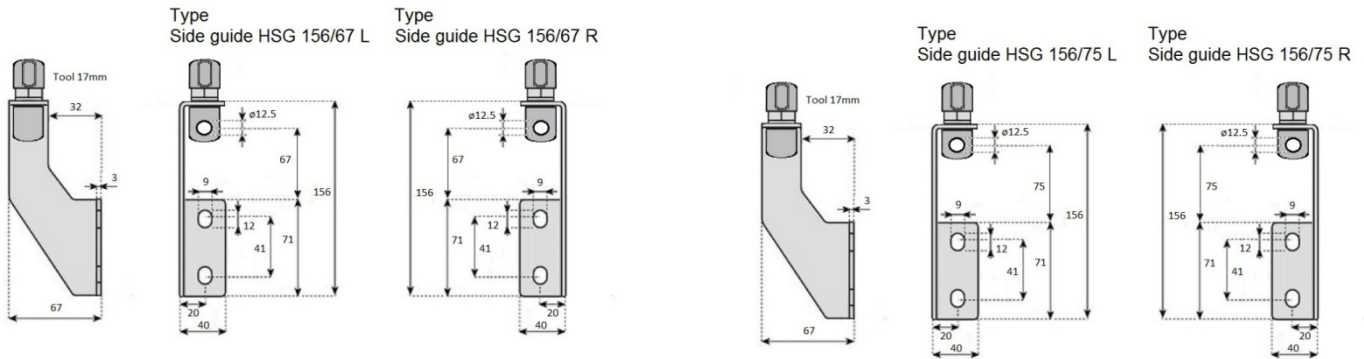
Hygienic spacer for side guide 20mm

Hygienic spacer for side guide 30mm

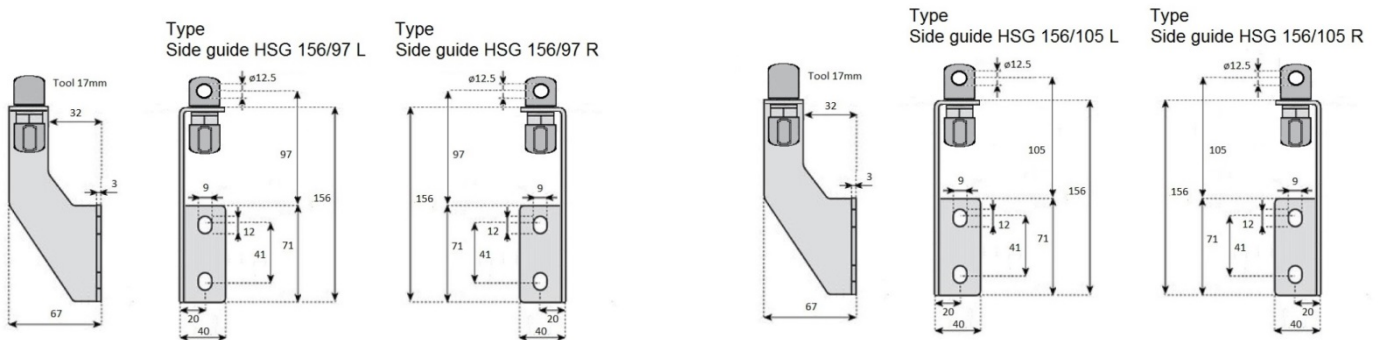


Side guide in hygienic stainless design

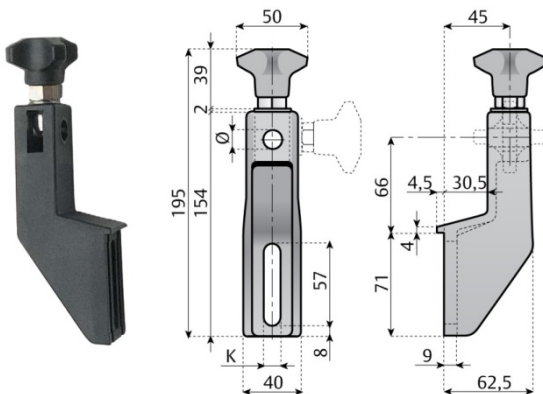
Side guide HSG 156-67 and HSG 156-75 bracket in Stainless steel 304 (Aisi 1.4301), eyebolt washer and knob in stainless steel AISI 304(Aisi 1.4301).



Side guide HSG 156-97 and HSG156-105 bracket in Stainless steel 304 (Aisi 1.4301), eyebolt washer and knob in stainless steel AISI 304(Aisi 1.4301).



Side guide SG 154-66 bracket in reinforced polyamide, eyebolt and washer in stainless steel AISI 304, knob in polyamide with nickel plated brass insert.

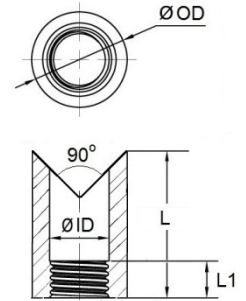


Hygienic corner nut and spacer in stainless steel



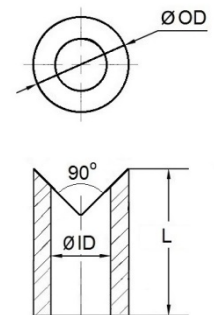
Corner nut in stainless steel (Aisi 1.4301)

- Corner nut M8-16-15 - ID=8.2 – OD=16.0 – L=15 – L1=6
- Corner nut M8-16-25 - ID=8.2 – OD=16.0 – L=25 – L1=10
- Corner nut M10-18-15 - ID=10.2 – OD=18.0 – L=15 – L1=6
- Corner nut M10-18-25 - ID=10.2 – OD=18.0 – L=25 – L1=10
- Corner nut M12-22-15 - ID=12.2 – OD=22.0 – L=15 – L1=6
- Corner nut M12-22-25 - ID=12.2 – OD=22.0 – L=25 – L1=10
- Corner nut M16-26-15 - ID=16.2 – OD=26.0 – L=15 – L1=6
- Corner nut M16-26-25 - ID=16.2 – OD=26.0 – L=25 – L1=10



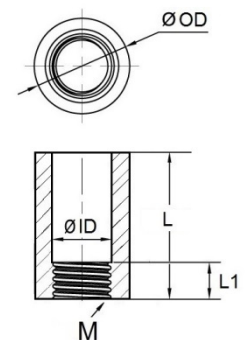
Corner spacer in stainless steel (Aisi 1.4301)

- Corner spacer 6.8-16-15 - ID=6.8 – OD=16.0 – L=15
- Corner spacer 6.8-16-25 - ID=6.8 – OD=16.0 – L=25
- Corner spacer 8.5-18-15 - ID=8.5 – OD=18.0 – L=15
- Corner spacer 8.5-18-25 - ID=8.5 – OD=18.0 – L=25
- Corner spacer 10.2-22-15 - ID=10.2 – OD=22.0 – L=15
- Corner spacer 10.2-22-25 - ID=10.2 – OD=22.0 – L=25
- Corner spacer 14.0-26-15 - ID=14.0 – OD=26.0 – L=15
- Corner spacer 14.0-26-25 - ID=14.0 – OD=26.0 – L=25



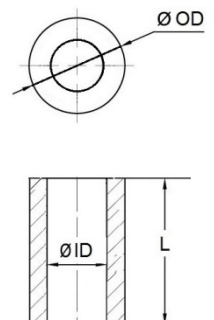
Spacer nut in stainless steel (Aisi 1.4301)

- Spacer nut M8-16-9 - ID=8.2 – OD=16.0 – L=9 – L1=6
- Spacer nut M8-16-18 - ID=8.2 – OD=16.0 – L=18 – L1=12
- Spacer nut M10-18-9 - ID=10.2 – OD=18.0 – L=9 – L1=6
- Spacer nut M10-18-18 - ID=10.2 – OD=18.0 – L=18 – L1=12
- Spacer nut M12-22-9 - ID=12.2 – OD=22.0 – L=9 – L1=6
- Spacer nut M12-22-18 - ID=12.2 – OD=22.0 – L=18 – L1=12
- Spacer nut M16-26-9 - ID=16.2 – OD=26.0 – L=9 – L1=6
- Spacer nut M16-26-18 - ID=16.2 – OD=26.0 – L=18 – L1=12



Spacer in stainless steel (Aisi 1.4301)

- Spacer 8-16-9 - ID=8.2 – OD=16.0 – L=9
- Spacer 8-16-18 - ID=8.2 – OD=16.0 – L=18
- Spacer 10-18-9 - ID=10.2 – OD=18.0 – L=9
- Spacer 10-18-18 - ID=10.2 – OD=18.0 – L=18
- Spacer 12-22-9 - ID=12.2 – OD=22.0 – L=9
- Spacer 12-22-18 - ID=12.2 – OD=22.0 – L=18
- Spacer 16-26-9 - ID=16.2 – OD=26.0 – L=9
- Spacer 16-26-18 - ID=16.2 – OD=26.0 – L=18



Our corner nut and spacer series are designed for the industries where continuously heavier demands on the material resistance and a design for easy-to-clean. Industries like: Medical equipment, Food & drug processing equipment, Packaging machinery, 3A design-meat & poultry processing equipment, Dairy processing machines

Castor with stainless steel brackets and bearings

Stainless castors are exposed to extreme weather conditions that they have to withstand day in and day out.



In other sectors, such as in the food processing industry or in packaging industry, they must be washable at high temperatures in order to meet stringent hygiene requirements.

Our stainless castors are particularly well protected against external influences, like, moisture, temperature fluctuations and inevitably rust has no effect on the castor.

The perfect workmanship makes them impervious to damp, and also to salt, oil and cleaning agents.

Our stainless steel castors are available as fixed castor, swivel castor, swivel castor with total lock.



Stainless castor with wheel made of Polyamide and Tread with elastic-tire with plate mounting

Swivel castor with total lock, bracket made of 3.0mm Aisi 1.4301 Stainless Steel, double ball bearing swivel head, wheel axle with nut, plate fitting.

Wheel made of Polyamide, Tread: elastic-tire, non-marking, plain bearing (Stainless).

Also supplied with roller bearing (Stainless) or precision ball bearing (Stainless), sealed.



	SE10GN080BD-Q	SE10GN100BD-Q	SE10GN125BD-Q
Technical Data	°C / mm / kg	°C / mm / kg	°C / mm / kg
Wheel diameter	80 mm	100 mm	125 mm
Width of Tread	35 mm	36 mm	36 mm
Offset	34 mm	34 mm	32 mm
Swivel Radius	74 mm	84 mm	95 mm
Swivel Interference	222 mm	236 mm	248 mm
Overall height	105 mm	128 mm	156 mm
Weight	0.607 kg	0.739kg	0.8898 kg
Load capacity	250 kg	250 kg	250 kg
Load capacity (static)	500 kg	500 kg	500 kg

Swivel tail end castor, bracket made of 3.0mm Aisi 1.4301 Stainless Steel, double ball bearing swivel head, wheel axle with nut, plate fitting.



	SE10GN080BD	SE10GN100BD	SE10GN125BD
Technical Data	°C / mm / kg	°C / mm / kg	°C / mm / kg
Wheel diameter	80 mm	100 mm	125 mm
Width of Tread	35 mm	36 mm	36 mm
Offset	34 mm	34 mm	32 mm
Swivel Radius	74 mm	84 mm	95 mm
Swivel Interference	148 mm	168 mm	190 mm
Overall height	105 mm	128 mm	156 mm
Weight	0.587 kg	0.699kg	0.7878 kg
Load capacity	250 kg	250 kg	250 kg
Load capacity (static)	500 kg	500 kg	500 kg

Hardness of tread: Shore A 65

Working Temperature: -30 / +80 °C

Standard: EN12532

Also available with wheel diameter of 160mm and 200mm

Stainless castor with wheel made of Polyamide and Tread with elastic-tire with plate mounting

Fixed castor, bracket made of 3.0mm Aisi 1.4301 Stainless Steel, double ball bearing swivel head, wheel axle with nut, plate fitting.

Wheel made of Polyamide, Tread: elastic-tire, non-marking, plain bearing (Stainless).

Also supplied with roller bearing (Stainless) or precision ball bearing (Stainless), sealed.



	S010GN080BD	S010GN100BD	S010GN125BD
Technical Data	°C / mm / kg	°C / mm / kg	°C / mm / kg
Wheel diameter	80 mm	100 mm	125 mm
Width of Tread	35 mm	36 mm	36 mm
Overall height	105 mm	128 mm	156 mm
Weight	0.447 kg	0.500kg	0.7638 kg
Load capacity	250 kg	250 kg	250 kg
Load capacity (static)	500 kg	500 kg	500 kg

Hardness of tread: Shore A 65

Working Temperature: -30 / +80 °C

Standard: EN12532

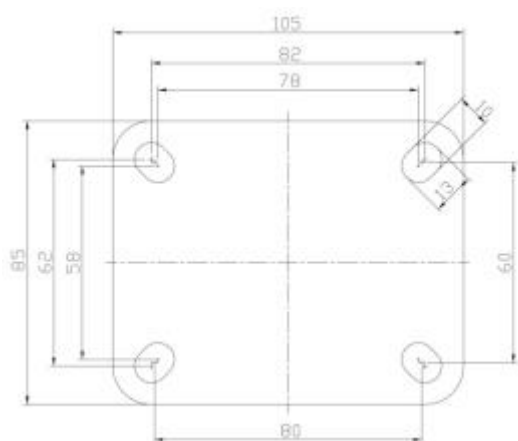
Also available with wheel diameter of 160mm and 200mm

Size of plate: 105 x 85 mm

Plate hole distance: 78/82 x 58/62 mm

Plate hole size: 10 x 13 mm

Material stainless steel Aisi 1.4301



Mounting bracket plate

Stainless castor with wheel made of Polyamide and Tread with elastic-tire with 12.5mm hole mounting

Swivel castor with total lock, bracket made of 3.0mm Aisi 1.4301 Stainless Steel, double ball bearing swivel head, wheel axle with nut, 12.5mm hole fitting.

Wheel made of Polyamide, Tread: elastic-tire, non-marking, plain bearing (Stainless)

Also supplied with roller bearing (Stainless) or precision ball bearing (Stainless), sealed.



	S010GN080BD-Q -B13	S010GN100BD-Q -B13	S010GN125BD-Q -B13
Technical Data	°C / mm / kg	°C / mm / kg	°C / mm / kg
Wheel diameter	80 mm	100 mm	125 mm
Width of Tread	35 mm	36 mm	36 mm
Offset	38 mm	38 mm	41 mm
Swivel Radius	74 mm	84 mm	95 mm
Swivel Interference	222 mm	238 mm	268 mm
Overall height	103 mm	126 mm	154 mm
Weight	0.785 kg	0.7629 kg	0.9458 kg
Load capacity	250 kg	250 kg	250 kg
Load capacity (static)	500 kg	500 kg	500 kg

Swivel tail end castor, bracket made of 3.0mm Aisi 1.4301 Stainless Steel, double ball bearing swivel head, wheel axle with nut, 12.5mm hole fitting.



	S010GN080BD -B13	S010GN100BD -B13	S010GN125BD -B13
Technical Data	°C / mm / kg	°C / mm / kg	°C / mm / kg
Wheel diameter	80 mm	100 mm	125 mm
Width of Tread	35 mm	36 mm	36 mm
Offset	38 mm	38 mm	41 mm
Swivel Radius	74 mm	84 mm	95 mm
Swivel Interference	156 mm	176 mm	207 mm
Overall height	103 mm	126 mm	154 mm
Weight	0.725 kg	0.6949 kg	0.8398 kg
Load capacity	250 kg	250 kg	250 kg
Load capacity (static)	500 kg	500 kg	500 kg

Hardness of tread: Shore A 65

Working Temperature: -30 / +80 °C

Standard: EN12532

Mounting hole: 12.5mm

Material stainless steel Aisi 1.4301

Stainless castor with wheel made of Polyamide and Tread with elastic-tire with full threaded spindle mounting

Swivel castor with total lock, bracket made of 3.0mm Aisi 1.4301 Stainless Steel, double ball bearing swivel head, wheel axle with nut, full threaded spindle fitting.

Wheel made of Polyamide, Tread: elastic-tire, non-marking, plain bearing (Stainless)

Also supplied with roller bearing (Stainless) or precision ball bearing (Stainless), sealed.



	S010GN080BD-Q -B13-HSC-Mxx- Lxxx	S010GN100BD-Q -B13-HSC-Mxx- Lxxx	S010GN125BD-Q -B13-HSC-Mxx- Lxxx
Technical Data	°C / mm / kg	°C / mm / kg	°C / mm / kg
Wheel diameter	80 mm	100 mm	125 mm
Width of Tread	35 mm	36 mm	36 mm
Offset	38 mm	38 mm	41 mm
Swivel Radius	74 mm	84 mm	95 mm
Swivel Interference	222 mm	238 mm	268 mm
Overall height	103 mm	126 mm	154 mm
Weight	0.785 kg	0.7629 kg	0.9458 kg
Load capacity	250 kg	250 kg	250 kg
Load capacity (static)	500 kg	500 kg	500 kg

Swivel tail end castor, bracket made of 3.0mm Aisi 1.4301 Stainless Steel, double ball bearing swivel head, wheel axle with nut, full threaded spindle fitting.



	S010GN080BD -B13- HSC-Mxx- Lxxx	S010GN100BD -B13- HSC-Mxx- Lxxx	S010GN125BD -B13- HSC-Mxx- Lxxx
Technical Data	°C / mm / kg	°C / mm / kg	°C / mm / kg
Wheel diameter	80 mm	100 mm	125 mm
Width of Tread	35 mm	36 mm	36 mm
Offset	38 mm	38 mm	41 mm
Swivel Radius	74 mm	84 mm	95 mm
Swivel Interference	156 mm	176 mm	207 mm
Overall height	103 mm	126 mm	154 mm
Weight	0.725 kg	0.6949 kg	0.8398 kg
Load capacity	250 kg	250 kg	250 kg
Load capacity (static)	500 kg	500 kg	500 kg

Hardness of tread: Shore A 65

Working Temperature: -30 / +80 °C

Standard: EN12532

Mounting spindle A2-70 full threaded HSC: Mxx = M16, M20, M24, M30, M36, M42, M48

Spindle A2-70 length Lxxx = 70mm, 100mm, 120mm, 150mm, 180mm, 200mm, 230mm, 280mm, 310mm

Material stainless steel Aisi 1.4301

Stainless castor with wheel made of Polyamide and Tread with elastic-tire with spindle with protecting sleeve mounting

Swivel castor with total lock, bracket made of 3.0mm Aisi 1.4301 Stainless Steel, double ball bearing swivel head, wheel axle with nut, and spindle with protecting sleeve fitting.

Wheel made of Polyamide, Tread: elastic-tire, non-marking, plain bearing (Stainless)

Also supplied with roller bearing (Stainless) or precision ball bearing (Stainless), sealed.



	S010GN080BD-Q -B13- EHSC-Mxx- Lxxx	S010GN100BD-Q -B13- EHSC-Mxx- Lxxx	S010GN125BD-Q -B13- EHSC-Mxx- Lxxx
Technical Data	°C / mm / kg	°C / mm / kg	°C / mm / kg
Wheel diameter	80 mm	100 mm	125 mm
Width of Tread	35 mm	36 mm	36 mm
Offset	38 mm	38 mm	41 mm
Swivel Radius	74 mm	84 mm	95 mm
Swivel Interference	222 mm	238 mm	268 mm
Overall height	103 mm	126 mm	154 mm
Weight	0.785 kg	0.7629 kg	0.9458 kg
Load capacity	250 kg	250 kg	250 kg
Load capacity (static)	500 kg	500 kg	500 kg

Swivel tail end castor, bracket made of 3.0mm Aisi 1.4301 Stainless Steel, double ball bearing swivel head, wheel axle with nut, and spindle with protecting sleeve fitting. The sleeve can be fitted with sealing for extra hygienic protecting.



	S010GN080BD -B13- EHSC-Mxx- Lxxx	S010GN100BD -B13- EHSC-Mxx- Lxxx	S010GN125BD -B13- EHSC-Mxx- Lxxx
Technical Data	°C / mm / kg	°C / mm / kg	°C / mm / kg
Wheel diameter	80 mm	100 mm	125 mm
Width of Tread	35 mm	36 mm	36 mm
Offset	38 mm	38 mm	41 mm
Swivel Radius	74 mm	84 mm	95 mm
Swivel Interference	156 mm	176 mm	207 mm
Overall height	103 mm	126 mm	154 mm
Weight	0.725 kg	0.6949 kg	0.8398 kg
Load capacity	250 kg	250 kg	250 kg
Load capacity (static)	500 kg	500 kg	500 kg

Hardness of tread: Shore A 65

Working Temperature: -30 / +80 °C

Standard: EN12532

Mounting spindle A2-70 with protecting sleeve EHSC: M16, M20, M24, M30, M36, M42, M48

Spindle A2-70 length 135mm, 175mm, 215mm, 255mm and 295mm

Material stainless steel Aisi 1.4301

Stainless castor with wheel made of Polyamide and Tread with Polyurethane with plate mounting

Swivel castor with total lock, bracket made of 3.0mm Aisi 1.4301 Stainless Steel, double ball bearing swivel head, wheel axle with nut, plate fitting.

Wheel made of Polyamide, Tread: Polyurethane, red and blue, plain bearing (Stainless).

Also supplied with roller bearing (Stainless) or precision ball bearing (Stainless), sealed.



	SE10TU080RF-Q	SE10TU100RF-Q	SE10TU125RF-Q
Technical Data	°C / mm / kg	°C / mm / kg	°C / mm / kg
Wheel diameter	80 mm	100 mm	125 mm
Width of Tread	30 mm	36 mm	37 mm
Offset	34 mm	34 mm	32 mm
Swivel Radius	74 mm	84 mm	95 mm
Swivel Interference	222 mm	236 mm	248 mm
Overall height	105 mm	128 mm	156 mm
Weight	0.5776 kg	0.785kg	0.8596 kg
Load capacity	250 kg	250 kg	250 kg
Load capacity (static)	500 kg	500 kg	500 kg

Swivel tail end castor, bracket made of 3.0mm Aisi 1.4301 Stainless Steel, double ball bearing swivel head, wheel axle with nut, plate fitting.



	SE10TU080RF	SE10TU100RF	SE10TU125RF
Technical Data	°C / mm / kg	°C / mm / kg	°C / mm / kg
Wheel diameter	80 mm	100 mm	125 mm
Width of Tread	30 mm	36 mm	37 mm
Offset	34 mm	34 mm	32 mm
Swivel Radius	74 mm	84 mm	95 mm
Swivel Interference	148 mm	168 mm	190 mm
Overall height	105 mm	128 mm	156 mm
Weight	0.5576 kg	0.742kg	0.7576 kg
Load capacity	250 kg	250 kg	250 kg
Load capacity (static)	500 kg	500 kg	500 kg

Hardness of tread: Shore D 48

Working Temperature: -25 / +70 °C

Standard: EN12532

Also available with wheel diameter of 160mm and 200mm

Stainless castor with wheel made of Polyamide and Tread with Polyurethane with plate mounting

Fixed castor, bracket made of 3.0mm Aisi 1.4301 Stainless Steel, double ball bearing swivel head, wheel axle with nut, plate fitting.

Wheel made of Polyamide, Tread: Polyurethane, red and blue, plain bearing (Stainless).

Also supplied with roller bearing (Stainless) or precision ball bearing (Stainless), sealed.



	S010TU080RF	S010TU100RF	S010TU125RF
Technical Data	°C / mm / kg	°C / mm / kg	°C / mm / kg
Wheel diameter	80 mm	100 mm	125 mm
Width of Tread	30 mm	36 mm	37 mm
Overall height	105 mm	128 mm	156 mm
Weight	0.4176 kg	0.5316 kg	0.7336 kg
Load capacity	250 kg	250 kg	250 kg
Load capacity (static)	500 kg	500 kg	500 kg

Hardness of tread: Shore D 48

Working Temperature: -25 / +70 °C

Standard: EN12532

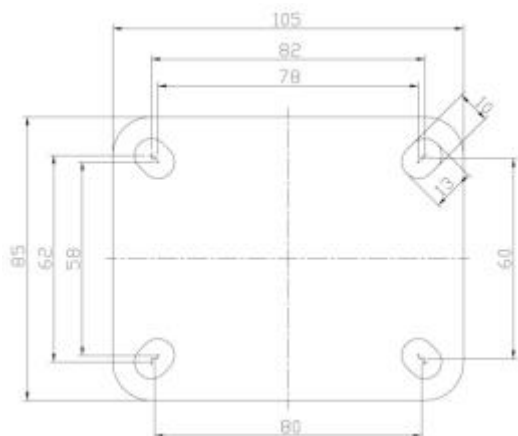
Also available with wheel diameter of 160mm and 200mm

Size of plate: 105 x 85 mm

Plate hole distance: 78/82 x 58/62 mm

Plate hole size: 10 x 13 mm

Material stainless steel Aisi 1.4301



Mounting bracket plate

Stainless castor with wheel made of Polyamide and Tread with Polyurethane with 12.5mm hole mounting

Swivel castor with total lock, bracket made of 3.0mm Aisi 1.4301 Stainless Steel, double ball bearing swivel head, wheel axle with nut, 12.5mm hole fitting.

Wheel made of Polyamide, Tread: Polyurethane, red and blue, plain bearing (Stainless).

Also supplied with roller bearing (Stainless) or precision ball bearing (Stainless), sealed.



	S010TU080RF-Q -B13	S010TU100RF-Q -B13	S010TU125RF-Q -B13
Technical Data	°C / mm / kg	°C / mm / kg	°C / mm / kg
Wheel diameter	80 mm	100 mm	125 mm
Width of Tread	30 mm	36 mm	37 mm
Offset	38 mm	38 mm	41 mm
Swivel Radius	74 mm	84 mm	95 mm
Swivel Interference	222 mm	238 mm	268 mm
Overall height	103 mm	126 mm	154 mm
Weight	0.6376 kg	0.7746 kg	0.9156 kg
Load capacity	250 kg	250 kg	250 kg
Load capacity (static)	500 kg	500 kg	500 kg

Swivel tail end castor, bracket made of 3.0mm Aisi 1.4301 Stainless Steel, double ball bearing swivel head, wheel axle with nut, 12.5mm hole fitting.



	S010TU080RF -B13	S010TU100RF -B13	S010TU125RF -B13
Technical Data	°C / mm / kg	°C / mm / kg	°C / mm / kg
Wheel diameter	80 mm	100 mm	125 mm
Width of Tread	30 mm	36 mm	37 mm
Offset	38 mm	38 mm	41 mm
Swivel Radius	74 mm	84 mm	95 mm
Swivel Interference	156 mm	176 mm	207 mm
Overall height	103 mm	126 mm	154 mm
Weight	0.5856 kg	0.7066 kg	0.8096 kg
Load capacity	250 kg	250 kg	250 kg
Load capacity (static)	500 kg	500 kg	500 kg

Hardness of tread: Shore D 48

Working Temperature: -25 / +70 °C

Standard: EN12532

Plate mounting hole: 12.5mm

Material stainless steel Aisi 1.4301

Stainless castor with wheel made of Polyamide and Tread with Polyurethane with full threaded spindle mounting

Swivel castor with total lock, bracket made of 3.0mm Aisi 1.4301 Stainless Steel, double ball bearing swivel head, wheel axle with nut, full threaded spindle fitting.

Wheel made of Polyamide, Tread: Polyurethane, red and blue, plain bearing (Stainless).

Also supplied with roller bearing (Stainless) or precision ball bearing (Stainless), sealed.



	S010TU080RF-Q -B13-HSC-Mxx- Lxxx	S010TU100RF-Q -B13-HSC-Mxx- Lxxx	S010TU125RF-Q -B13-HSC-Mxx- Lxxx
Technical Data	°C / mm / kg	°C / mm / kg	°C / mm / kg
Wheel diameter	80 mm	100 mm	125 mm
Width of Tread	30 mm	36 mm	37 mm
Offset	38 mm	38 mm	41 mm
Swivel Radius	74 mm	84 mm	95 mm
Swivel Interference	222 mm	238 mm	268 mm
Overall height	103 mm	126 mm	154 mm
Weight	0.6376 kg	0.7746 kg	0.9156 kg
Load capacity	250 kg	250 kg	250 kg
Load capacity (static)	500 kg	500 kg	500 kg

Swivel tail end castor, bracket made of 3.0mm Aisi 1.4301 Stainless Steel, double ball bearing swivel head, wheel axle with nut, full threaded spindle fitting.



	S010TU080RF -B13-HSC-Mxx- Lxxx	S010TU100RF -B13-HSC-Mxx- Lxxx	S010TU125RF -B13-HSC-Mxx- Lxxx
Technical Data	°C / mm / kg	°C / mm / kg	°C / mm / kg
Wheel diameter	80 mm	100 mm	125 mm
Width of Tread	30 mm	36 mm	37 mm
Offset	38 mm	38 mm	41 mm
Swivel Radius	74 mm	84 mm	95 mm
Swivel Interference	156 mm	176 mm	207 mm
Overall height	103 mm	126 mm	154 mm
Weight	0.5856 kg	0.7066 kg	0.8096 kg
Load capacity	250 kg	250 kg	250 kg
Load capacity (static)	500 kg	500 kg	500 kg

Hardness of tread: Shore D 48

Working Temperature: -25 / +70 °C

Standard: EN12532

Mounting spindle A2-70 full threaded HSC: Mxx = M16, M20, M24, M30, M36, M42, M48

Spindle A2-70 length Lxxx = 70mm, 100mm, 120mm, 150mm, 180mm, 200mm, 230mm, 280mm, 310mm

Material stainless steel Aisi 1.4301

Stainless castor with wheel made of Polyamide and Tread with Polyurethane with spindle with protecting sleeve mounting

Swivel castor with total lock, bracket made of 3.0mm Aisi 1.4301 Stainless Steel, double ball bearing swivel head, wheel axle with nut, and spindle with protecting sleeve fitting.

Wheel made of Polyamide, Tread: Polyurethane, red and blue, plain bearing (Stainless).

Also supplied with roller bearing (Stainless) or precision ball bearing (Stainless), sealed.



	S010TU080RF-Q -B13-EHSC-Mxx- Lxxx	S010TU100RF-Q -B13-EHSC-Mxx- Lxxx	S010TU125RF-Q -B13-EHSC-Mxx- Lxxx
Technical Data	°C / mm / kg	°C / mm / kg	°C / mm / kg
Wheel diameter	80 mm	100 mm	125 mm
Width of Tread	30 mm	36 mm	37 mm
Offset	38 mm	38 mm	41 mm
Swivel Radius	74 mm	84 mm	95 mm
Swivel Interference	222 mm	238 mm	268 mm
Overall height	103 mm	126 mm	154 mm
Weight	0.6376 kg	0.7746 kg	0.9156 kg
Load capacity	250 kg	250 kg	250 kg
Load capacity (static)	500 kg	500 kg	500 kg

Swivel tail end castor, bracket made of 3.0mm Aisi 1.4301 Stainless Steel, double ball bearing swivel head, wheel axle with nut, and spindle with protecting sleeve fitting. The sleeve can be fitted with sealing for extra hygienic protecting.



	S010TU080RF -B13-EHSC-Mxx- Lxxx	S010TU100RF -B13-EHSC-Mxx- Lxxx	S010TU125RF -B13-EHSC-Mxx- Lxxx
Technical Data	°C / mm / kg	°C / mm / kg	°C / mm / kg
Wheel diameter	80 mm	100 mm	125 mm
Width of Tread	30 mm	36 mm	37 mm
Offset	38 mm	38 mm	41 mm
Swivel Radius	74 mm	84 mm	95 mm
Swivel Interference	156 mm	176 mm	207 mm
Overall height	103 mm	126 mm	154 mm
Weight	0.5856 kg	0.7066 kg	0.8096 kg
Load capacity	250 kg	250 kg	250 kg
Load capacity (static)	500 kg	500 kg	500 kg

Hardness of tread: Shore D 48

Working Temperature: -25 / +70 °C

Standard: EN12532

Mounting spindle A2-70 with protecting sleeve EHSC: M16, M20, M24, M30, M36, M42, M48

Spindle A2-70 length 135mm, 175mm, 215mm, 255mm and 295mm

Material stainless steel Aisi 1.4301

Stainless castor with wheel and Tread with Polyamide with plate mounting

Swivel castor with total lock, bracket made of 3.0mm Aisi 1.4301 Stainless Steel, double ball bearing swivel head, wheel axle with nut, plate fitting.

Wheel made of Polyamide, plain bearing (Stainless).

Also supplied with roller bearing (Stainless) or precision ball bearing (Stainless), sealed.



	SE10NY080PF-Q	SE10NY100PF-Q	SE10NY125PF-Q
Technical Data	°C / mm / kg	°C / mm / kg	°C / mm / kg
Wheel diameter	80 mm	100 mm	125 mm
Width of Tread	32 mm	36 mm	36 mm
Offset	34 mm	34 mm	32 mm
Swivel Radius	74 mm	84 mm	95 mm
Swivel Interference	222 mm	236 mm	248 mm
Overall height	105 mm	128 mm	156 mm
Weight	0.719kg	0.701kg	0.8098 kg
Load capacity	250 kg	250 kg	250 kg
Load capacity (static)	500 kg	500 kg	500 kg

Swivel tail end castor, bracket made of 3.0mm Aisi 1.4301 Stainless Steel, double ball bearing swivel head, wheel axle with nut, plate fitting.



	SE10NY080PF	SE10NY100PF	SE10NY125PF
Technical Data	°C / mm / kg	°C / mm / kg	°C / mm / kg
Wheel diameter	80 mm	100 mm	125 mm
Width of Tread	32 mm	36 mm	36 mm
Offset	34 mm	34 mm	32 mm
Swivel Radius	74 mm	84 mm	95 mm
Swivel Interference	148 mm	168 mm	190 mm
Overall height	105 mm	128 mm	156 mm
Weight	0.589kg	0.661kg	0.7078 kg
Load capacity	250 kg	250 kg	250 kg
Load capacity (static)	500 kg	500 kg	500 kg

Hardness of tread: Shore D 75

Working Temperature: -40 / +80 °C

Standard: EN12532

Also available with wheel diameter of 160mm and 200mm

Stainless castor with wheel and Tread with Polyamide with plate mounting

Fixed castor, bracket made of 3.0mm Aisi 1.4301 Stainless Steel, double ball bearing swivel head, wheel axle with nut, plate fitting.

Wheel made of Polyamide, plain bearing (Stainless).

Also supplied with roller bearing (Stainless) or precision ball bearing (Stainless), sealed.



	S010NY080PF	S010NY100PF	S010NY125PF
Technical Data	°C / mm / kg	°C / mm / kg	°C / mm / kg
Wheel diameter	80 mm	100 mm	125 mm
Width of Tread	32 mm	36 mm	37 mm
Overall height	105 mm	128 mm	156 mm
Weight	0.3788 kg	0.500kg	0.6838 kg
Load capacity	250 kg	250 kg	250 kg
Load capacity (static)	500 kg	500 kg	500 kg

Hardness of tread: Shore D 75

Working Temperature: -40 / +80 °C

Standard: EN12532

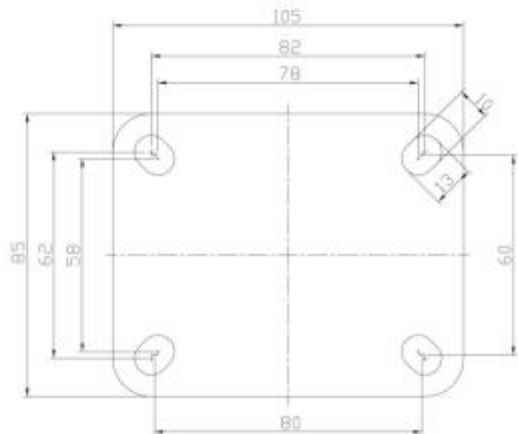
Also available with wheel diameter of 160mm and 200mm

Size of plate: 105 x 85 mm

Plate hole distance: 78/82 x 58/62 mm

Plate hole size: 10 x 13 mm

Material stainless steel Aisi 1.4301



Mounting bracket plate

Stainless castor with wheel and Tread with Polyamide with 12.5mm hole mounting

Swivel castor with total lock, bracket made of 3.0mm Aisi 1.4301 Stainless Steel, double ball bearing swivel head, wheel axle with nut, 12.5mm hole fitting.

Wheel made of Polyamide, plain bearing (Stainless).

Also supplied with roller bearing (Stainless) or precision ball bearing (Stainless), sealed.



	S010NY080PF-Q -B13	S010NY100PF-Q -B13	S010NY125PF-Q -B13
Technical Data	°C / mm / kg	°C / mm / kg	°C / mm / kg
Wheel diameter	80 mm	100 mm	125 mm
Width of Tread	32 mm	36 mm	37 mm
Offset	38 mm	38 mm	41 mm
Swivel Radius	74 mm	88 mm	103.5 mm
Swivel Interference	223 mm	238 mm	268 mm
Overall height	103 mm	126 mm	154 mm
Weight	0.72kg	0.836kg	0.8658 kg
Load capacity	250 kg	250 kg	250 kg
Load capacity (static)	500 kg	500 kg	500 kg

Swivel tail end castor, bracket made of 3.0mm Aisi 1.4301 Stainless Steel, double ball bearing swivel head, wheel axle with nut, 12.5mm hole fitting.



	S010NY080PF -B13	S010NY100PF -B13	S010NY125PF -B13
Technical Data	°C / mm / kg	°C / mm / kg	°C / mm / kg
Wheel diameter	80 mm	100 mm	125 mm
Width of Tread	32 mm	36 mm	37 mm
Offset	38 mm	38 mm	41 mm
Swivel Radius	74 mm	88 mm	103.5 mm
Swivel Interference	148 mm	176 mm	207 mm
Overall height	103 mm	126 mm	154 mm
Weight	0.615kg	0.696kg	0.7598 kg
Load capacity	250 kg	250 kg	250 kg
Load capacity (static)	500 kg	500 kg	500 kg

Hardness of tread: Shore D 75

Working Temperature: -40 / +80 °C

Standard: EN12532

Plate mounting hole: 12.5mm

Material stainless steel Aisi 1.4301

Stainless castor with wheel and Tread with Polyamide with full threaded spindle mounting

Swivel castor with total lock, bracket made of 3.0mm Aisi 1.4301 Stainless Steel, double ball bearing swivel head, wheel axle with nut, full treaded spindle fitting.

Wheel made of Polyamide, plain bearing (Stainless).

Also supplied with roller bearing (Stainless) or precision ball bearing (Stainless), sealed.



	S010NY080PF-Q -B13-HSC-Mxx- Lxxx	S010NY100PF-Q -B13-HSC-Mxx- Lxxx	S010NY125PF-Q -B13-HSC-Mxx- Lxxx
Technical Data	°C / mm / kg	°C / mm / kg	°C / mm / kg
Wheel diameter	80 mm	100 mm	125 mm
Width of Tread	32 mm	36 mm	37 mm
Offset	38 mm	38 mm	41 mm
Swivel Radius	74 mm	88 mm	103.5 mm
Swivel Interference	223 mm	238 mm	268 mm
Overall height	103 mm	126 mm	154 mm
Weight	0.72kg	0.836kg	0.8658 kg
Load capacity	250 kg	250 kg	250 kg
Load capacity (static)	500 kg	500 kg	500 kg

Swivel tail end castor, bracket made of 3.0mm Aisi 1.4301 Stainless Steel, double ball bearing swivel head, wheel axle with nut, full treaded spindle fitting.



	S010NY080PF -B13-HSC-Mxx- Lxxx	S010NY100PF -B13-HSC-Mxx- Lxxx	S010NY125PF -B13-HSC-Mxx- Lxxx
Technical Data	°C / mm / kg	°C / mm / kg	°C / mm / kg
Wheel diameter	80 mm	100 mm	125 mm
Width of Tread	32 mm	36 mm	37 mm
Offset	38 mm	38 mm	41 mm
Swivel Radius	74 mm	88 mm	103.5 mm
Swivel Interference	148 mm	176 mm	207 mm
Overall height	103 mm	126 mm	154 mm
Weight	0.615kg	0.696kg	0.7598 kg
Load capacity	250 kg	250 kg	250 kg
Load capacity (static)	500 kg	500 kg	500 kg

Hardness of tread: Shore D 75

Working Temperature: -40 / +80 °C

Standard: EN12532

Mounting spindle A2-70 full threaded HSC: Mxx = M16, M20, M24, M30, M36, M42, M48

Spindle A2-70 length Lxxx = 70mm, 100mm, 120mm, 150mm, 180mm, 200mm, 230mm, 280mm, 310mm

Material stainless steel Aisi 1.4301

Stainless castor with wheel and Tread with Polyamide with spindle with protecting sleeve mounting

Swivel castor with total lock, bracket made of 3.0mm Aisi 1.4301 Stainless Steel, double ball bearing swivel head, wheel axle with nut, and spindle with protecting sleeve fitting.

Wheel made of Polyamide, plain bearing (Stainless).

Also supplied with roller bearing (Stainless) or precision ball bearing (Stainless), sealed.



	S010NY080PF-Q -B13-EHSC-Mxx- Lxxx	S010NY100PF-Q -B13-EHSC-Mxx- Lxxx	S010NY125PF-Q -B13-EHSC-Mxx- Lxxx
Technical Data	°C / mm / kg	°C / mm / kg	°C / mm / kg
Wheel diameter	80 mm	100 mm	125 mm
Width of Tread	32 mm	36 mm	37 mm
Offset	38 mm	38 mm	41 mm
Swivel Radius	74 mm	88 mm	103.5 mm
Swivel Interference	223 mm	238 mm	268 mm
Overall height	103 mm	126 mm	154 mm
Weight	0.72kg	0.836kg	0.8658 kg
Load capacity	250 kg	250 kg	250 kg
Load capacity (static)	500 kg	500 kg	500 kg

Swivel tail end castor, bracket made of 3.0mm Aisi 1.4301 Stainless Steel, double ball bearing swivel head, wheel axle with nut, and spindle with protecting sleeve fitting. The sleeve can be fitted with sealing for extra hygienic protecting.



	S010NY080PF -B13-EHSC-Mxx- Lxxx	S010NY100PF -B13-EHSC-Mxx- Lxxx	S010NY125PF -B13-EHSC-Mxx- Lxxx
Technical Data	°C / mm / kg	°C / mm / kg	°C / mm / kg
Wheel diameter	80 mm	100 mm	125 mm
Width of Tread	32 mm	36 mm	37 mm
Offset	38 mm	38 mm	41 mm
Swivel Radius	74 mm	88 mm	103.5 mm
Swivel Interference	148 mm	176 mm	207 mm
Overall height	103 mm	126 mm	154 mm
Weight	0.615kg	0.696kg	0.7598 kg
Load capacity	250 kg	250 kg	250 kg
Load capacity (static)	500 kg	500 kg	500 kg

Hardness of tread: Shore D 75

Working Temperature: -40 / +80 °C

Standard: EN12532

Mounting spindle A2-70 with protecting sleeve EHSC: M16, M20, M24, M30, M36, M42, M48

Spindle A2-70 length 135mm, 175mm, 215mm, 255mm and 295mm

Material stainless steel Aisi 1.4301

Waterproof bearing units IP67

Our IP67 bearing units are designed for industries with continuously heavier demands on the material resistance and a design for easy-to-clean. In order to reduce the risk of bacteria growth, this design is characterized by smooth surfaces and rounded corners.

IP67 bearing units comply with 3A and EHEDG regulation

The protection class is IP67 which ensure that the bearing units can be cleaned high pressure water from all directions. An oil seal ring with a stainless steel spring ensures that water cannot penetrate the housing. The bearings are maintenance free and resistant to all cleaning agents and to most chemicals.

IP67 F-type



IP67 FL-type



IP67 P-type



IP67 PA-type

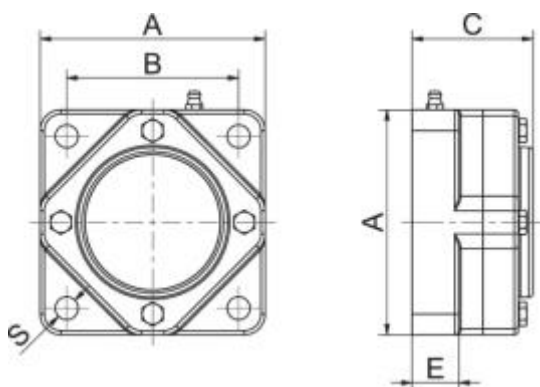


We are proud to support pro-active food safety by providing food-safe bearing units that are completely sealed, lubricated for life and designed for increased bearing performance, even in the harshest processing and cleaning environments

Features and advantages of our IP67 bearing units:

- /// Compact and strong bearing housing base, with the cover bolted to the base.
- /// Bearing housing is made by Dupolit, which is of extreme stability and strength.
- /// Stainless grease nipple for optimal food grade grease filling, preventing condensation in the housing.
- /// The bearing housing is fitted with a spherical lifetime lubricated ball bearing with eccentric locking collar.
- /// The spherical bearing is self-aligning.
- /// The bearing housing measurements are similar to market standards for easy replacement.
- /// The bearing housing can be mounted in all angles
- /// The stainless spherical insert bearings for an easy and precise assembly
- /// The bearing housing is heat resistant from -30°C to +100°C
- /// The bearing inserts are lubricated with NSF H1 registered grease that meets requirements DIN 51825
- /// The bearing units are USDA accepted and meets the NSF/ANSI/3-A 14159-1-2010 standard
- /// Food grade according to the framework of regulation (EC) No. 1935/2004
- /// Possibility for private label

Waterproof 4 hole square flange bearing units with spherical inserts IP67 F-type



The construction permits a misalignment of the bearing, of up to $\pm 3^\circ$

IP67 F shaft size	Catalogue No. closed cover	Catalogue No. open cover	A	B	C	E	S	Weight (kg)
Ø20 mm	IP67 F204 CC	IP67 F204 OC	86.0	63.5	51.0	22.5	9.0	0.52
Ø25 mm	IP67 F205 CC	IP67 F205 OC	95.0	70.0	52.0	22.5	9.0	0.63
Ø30 mm	IP67 F206 CC	IP67 F206 OC	108.0	82.5	58.0	22.5	11.0	0.91
Ø35 mm	IP67 F207 CC	IP67 F207 OC	118.0	92.0	60.0	22.5	13.5	1.10
Ø40 mm	IP67 F208 CC	IP67 F208 OC	130.0	101.5	65.0	22.5	13.5	1.50
Ø50 mm	IP67 F210 CC	IP67 F210 OC	143.0	111.0	70.0	26.5	16.0	1.84
Ø60 mm	IP67 F212 CC	IP67 F212 OC	175.0	143.0	82.0	28.5	18.0	3.09

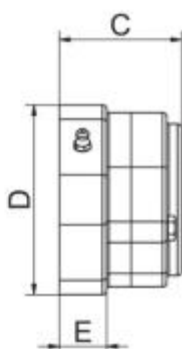
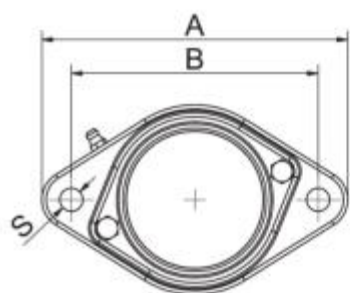
All measurements are in millimetres. When ordering please use the catalogue no.

Technical specifications for spherical stainless insert

Technical specifications	IP67 SSA 20	IP67 SSA 25	IP67 SSA 30	IP67 SSA 35	IP67 SSA 40	IP67 SSA 50	IP67 SSA 60
Shaft dia. (mm)	20.00	25.00	30.00	35.00	40.00	50.00	60.00
Weight (kg)	0.24	0.31	0.49	0.64	0.89	1.07	1.78
Cr (kN)	9.88	10.78	14.97	19.75	22.71	25.57	42.00
Cor (kN)	6.20	6.98	10.04	13.67	15.94	23.20	30.00

m (mass); Cr (basic dynamic load, radial); Cor (basic static load, radial)

Waterproof 2 hole oval flange bearing units with spherical inserts IP67 FL-type



The construction permits a misalignment of the bearing, of up to $\pm 3^\circ$

IP67 FL shaft size	Catalogue No. closed cover	Catalogue No. open cover	A	B	C	D	E	S	Weight (kg)
Ø20 mm	IP67 FL204 CC	IP67 FL204 OC	116.0	90.0	51.0	75.0	22.5	9.0	0.43
Ø25 mm	IP67 FL205 CC	IP67 FL205 OC	123.0	99.0	52.0	79.0	22.5	9.0	0.51
Ø30 mm	IP67 FL206 CC	IP67 FL206 OC	145.0	117.0	58.0	90.0	22.5	11.0	0.77
Ø35 mm	IP67 FL207 CC	IP67 FL207 OC	160.0	130.0	60.0	99.0	22.5	13.5	0.99
Ø40 mm	IP67 FL208 CC	IP67 FL208 OC	174.0	144.0	65.0	110.0	22.5	13.5	1.30
Ø50 mm	IP67 FL210 CC	IP67 FL210 OC	197.0	157.0	70.0	126.0	26.5	17.5	1.60
Ø60 mm	IP67 FL212 CC	IP67 FL212 OC	250.0	202.0	82.0	152.0	28.5	22.0	2.82

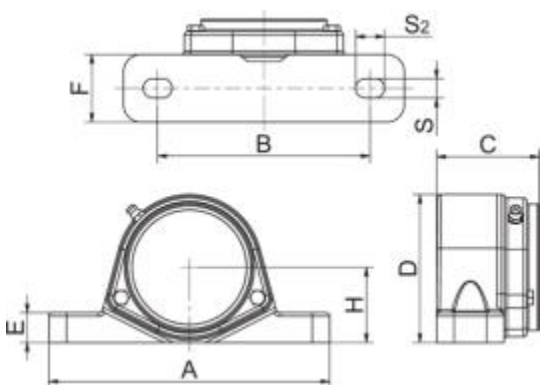
All measurements are in millimetres. When ordering please use the catalogue no.

Technical specifications for spherical stainless insert

Technical specifications	IP67 SSA 20	IP67 SSA 25	IP67 SSA 30	IP67 SSA 35	IP67 SSA 40	IP67 SSA 50	IP67 SSA 60
Shaft dia. (mm)	20.00	25.00	30.00	35.00	40.00	50.00	60.00
Weight (kg)	0.24	0.31	0.49	0.64	0.89	1.07	1.78
Cr (kN)	9.88	10.78	14.97	19.75	22.71	25.57	42.00
Cor (kN)	6.20	6.98	10.04	13.67	15.94	23.20	30.00

m (mass); Cr (basic dynamic load, radial); Cor (basic static load, radial)

Waterproof 2 hole pillow block bearing units with spherical inserts IP67 P-type



The construction permits a misalignment of the bearing, of up to $\pm 3^\circ$

IP67 P shaft size	Catalogue No. closed cover	Catalogue No. open cover	A	B	C	D	E	F	H	S	S2	Weight (kg)
Ø20 mm	IP67 P204 CC	IP67 P204 OC	127	95	52.0	67.0	14.0	33.5	33.3	9.0	13.5	0.43
Ø25 mm	IP67 P205 CC	IP67 P205 OC	140	105	53.0	73.0	15.0	34.5	36.5	9.0	13.5	0.51
Ø30 mm	IP67 P206 CC	IP67 P206 OC	160	121	59.0	85.0	17.0	38.5	42.9	11.0	16.5	0.77
Ø35 mm	IP67 P207 CC	IP67 P207 OC	167	127	60.0	93.0	18.0	38.5	47.5	13.0	19.5	0.99
Ø40 mm	IP67 P208 CC	IP67 P208 OC	184	137	66.0	100.0	18.0	42.5	49.2	13.0	19.5	1.30

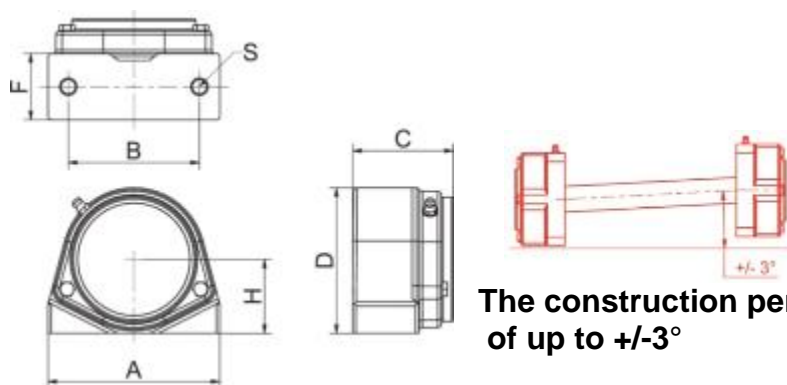
All measurements are in millimetres. When ordering please use the catalogue no.

Technical specifications for spherical stainless insert

Technical specifications	IP67 SSA 20	IP67 SSA 25	IP67 SSA 30	IP67 SSA 35	IP67 SSA 40
Shaft dia. (mm)	20.00	25.00	30.00	35.00	40.00
Weight (kg)	0.30	0.38	0.54	0.70	0.94
Cr (kN)	9.88	10.78	14.97	19.75	22.71
Cor (kN)	6.20	6.98	10.04	13.67	15.94

m (mass); Cr (basic dynamic load, radial); Cor (basic static load, radial)

Waterproof 2 hole tapped base bearing units with spherical inserts IP67 PA-type



The construction permits a misalignment of the bearing, of up to $\pm 3^\circ$

IP67 PA shaft size	Catalogue No. closed cover	Catalogue No. open cover	A	B	C	D	F	H	S	Weight (kg)
Ø20 mm	IP67 PA204 CC	IP67 PA204 OC	79.0	50.8	52.0	67.0	33.5	33.3	M8	0.43
Ø25 mm	IP67 PA205 CC	IP67 PA205 OC	87.0	50.8	53.0	73.0	34.5	36.5	M8	0.51
Ø30 mm	IP67 PA206 CC	IP67 PA206 OC	100.0	76.2	59.0	85.0	38.5	42.9	M10	0.77
Ø35 mm	IP67 PA207 CC	IP67 PA207 OC	110.0	82.6	60.0	93.0	38.5	47.5	M12	0.99
Ø40 mm	IP67 PA208 CC	IP67 PA208 OC	122.0	88.9	66.0	100.0	42.5	49.2	M12	1.30

All measurements are in millimetres. When ordering please use the catalogue no.

Technical specifications for spherical stainless insert

Technical specifications	IP67 SSA 20	IP67 SSA 25	IP67 SSA 30	IP67 SSA 35	IP67 SSA 40
Shaft dia. (mm)	20.00	25.00	30.00	35.00	40.00
Weight (kg)	0.30	0.38	0.54	0.70	0.94
Cr (kN)	9.88	10.78	14.97	19.75	22.71
Cor (kN)	6.20	6.98	10.04	13.67	15.94

m (mass); Cr (basic dynamic load, radial); Cor (basic static load, radial)

Thermo plastic bearing units

For tasks a little less demanding, and for a more economical solution, our product range also covers thermoplastic bearings.

The bearings are characterized by high quality and finish for both the bearing and the bearing housing.

Our thermo plastic bearing units are designed for the food industry and other industries with continuously heavier demands on the material resistance and a design for easy-to-clean.

In order to reduce the risk of bacteria growth, this design is characterized by smooth surfaces and rounded corners.



Features and advantages of our thermo plastic bearing units:

- /// Thermoplastic housings in Black, White or Green
- /// Stainless bearing inserts AISI 440C
- /// Chrome steel bearings 100Cr6
- /// Stainless grease nipple AISI 304 M6x1 mm
- /// Operating temperature from -30°C to +100°C.
- /// Cover material: Polypropylene
- /// Oil seal material: NBR Rubber with stainless spring
- /// The spherical bearing is self-aligning.
- /// The bearing housing measurements are similar to market standards for easy replacement.
- /// The bearing housing can be mounted in all angles
- /// The stainless spherical insert bearings for an easy and precise assembly
- /// The bearing inserts are lubricated with FM222 grease which meet requirements like DIN 51825, Halal, Kosher, etc.
- /// Possibility for private label

Thermoplastic PPL 2 hole spherical pillow block bearing units

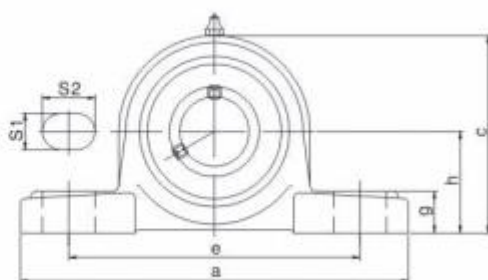
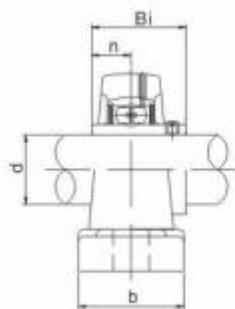


PPL with closed cover



PPL with open cover

Technical data:



- /// Stainless steel bearings AISI 440C
- /// Chrome steel bearings 100Cr6
- /// Stainless steel grease nipple AISI 304 M6x1 mm
- /// Operating temperature from -30°C to +100°C.
- /// Cover material: Polypropylene
- /// Oil seal material: NBR Rubber with stainless spring

PPL shaft size	Catalogue No.	D	h	A	e	B	s1	s2	G	c	Bi	n	Weight (kg)
Ø20 mm	PPL 204	20	33.3	127.0	95.0	38.0	11	14	14.2	65.5	31.0	12.7	0.13
Ø25 mm	PPL 205	25	36.5	140.5	105.0	38.0	11	14	14.5	71.0	34.0	14.3	0.14
Ø30 mm	PPL 206	30	42.9	163.0	119.0	46.0	14	18	17.8	84.0	38.1	15.9	0.24
Ø35 mm	PPL 207	35	47.6	168.0	127.0	48.0	14	18	18.0	94.5	42.9	17.5	0.27
Ø40 mm	PPL 208	40	49.2	184.0	137.0	54.0	14	18	19.5	101.0	49.2	19.0	0.35
Ø45 mm	PPL 209	45	54.0	192.0	146.0	54.0	17	20	23.0	106.0	49.2	19.0	0.41
Ø50 mm	PPL 210	50	57.2	206.0	159.0	60.0	17	20	23.0	114.0	51.6	19.0	0.47
Ø55 mm	PPL 211	55	Please contact us for more information										
Ø60 mm	PPL 212	60	Please contact us for more information										

All measurements are in millimetres. When ordering please use the catalogue no.

For bearing inserts please see page 64 to 67

For covers and back seal please see page 63

Thermoplastic FPL 4 hole spherical square flange bearing units

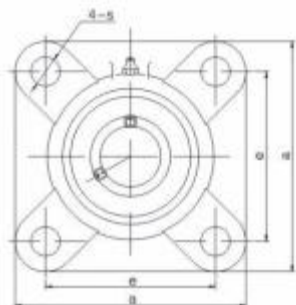
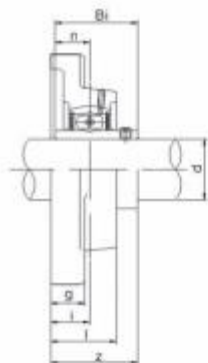


FPL with closed cover



FPL with open cover

Technical data:



- /// Stainless steel bearings AISI 440C
- /// Chrome steel bearings 100Cr6
- /// Stainless steel grease nipple AISI 304 M6x1 mm
- /// Operating temperature from -30°C to +100°C.
- /// Cover material: Polypropylene
- /// Oil seal material: NBR Rubber with stainless spring

FPL shaft size	Catalogue No.	D	A	e	G	L	s	Z	Bi	n	i	Weight (kg)
Ø20 mm	FPL 204	20	86.0	63.5	13.4	27.8	11	34.6	31.0	12.7	16.3	0.12
Ø25 mm	FPL 205	25	95.0	70.0	14.3	28.5	11	36.7	34.0	14.3	17.0	0.15
Ø30 mm	FPL 206	30	107.0	83.0	14.3	31.5	11	41.2	38.1	15.9	19.0	0.18
Ø35 mm	FPL 207	35	118.0	92.0	15.5	34.5	13	46.9	42.9	17.5	21.5	0.25
Ø40 mm	FPL 208	40	130.0	102.0	17.0	36.5	14	53.2	49.2	19.0	23.0	0.36
Ø45 mm	FPL 209	45	137.0	105.0	19.0	41.0	17	54.2	49.2	19.0	24.0	0.42
Ø50 mm	FPL 210	50	143.0	111.0	21.0	43.0	17	57.6	51.6	19.0	25.0	0.49
Ø55 mm	FPL 211	55	Please contact us for more information									
Ø60 mm	FPL 212	60	Please contact us for more information									
All measurements are in millimetres. When ordering please use the catalogue no.												

For bearing inserts please see page 64 to 67

For covers and back seal please see page 63

Thermoplastic FLPL 2 hole spherical oval flange bearing units

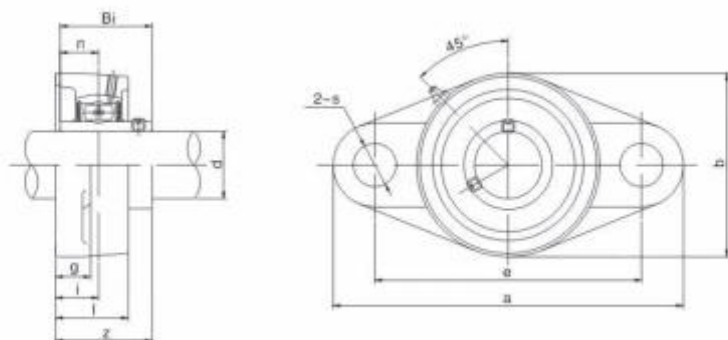


FLPL with closed cover



FLPL with open cover

Technical data:



- /// Stainless steel bearings AISI 440C
- /// Chrome steel bearings 100Cr6
- /// Stainless steel grease nipple AISI 304 M6x1 mm
- /// Operating temperature from -30°C to +100°C.
- /// Cover material: Polypropylene
- /// Oil seal material: NBR Rubber with stainless spring

FLPL shaft size	Catalogue No.	D	A	e	b	G	L	s	Z	Bi	n	I	Weight (kg)
Ø20 mm	FLPL 204	20	113.0	90.0	65.0	13.4	26.5	11	33.3	31.0	12.7	15.5	0.08
Ø25 mm	FLPL 205	25	131.0	99.0	70.0	14.3	28.0	11	36.2	34.0	14.3	16.5	0.11
Ø30 mm	FLPL 206	30	148.0	117.0	80.0	14.3	30.5	11	40.2	38.1	15.9	18.0	0.13
Ø35 mm	FLPL 207	35	164.0	130.0	90.0	15.5	32.0	13	44.4	42.9	17.5	19.0	0.16
Ø40 mm	FLPL 208	40	176.0	144.0	100.0	17.0	35.0	14	51.7	49.2	19.0	21.5	0.22
Ø45 mm	FLPL 209	45	198.0	149.0	108.0	21.0	41.0	17	54.2	49.2	19.0	24.0	0.26
Ø50 mm	FLPL 210	50	197.0	157.0	115.0	21.0	43.0	17	57.6	51.6	19.0	25.0	0.31
Ø55 mm	FLPL 211	55	Please contact us for more information										
Ø60 mm	FLPL 212	60	Please contact us for more information										

All measurements are in millimetres. When ordering please use the catalogue no.

For bearing inserts please see page 64 to 67

For covers and back seal please see page 63

Thermoplastic PAPL 2 hole spherical tapped base pillow block bearing units

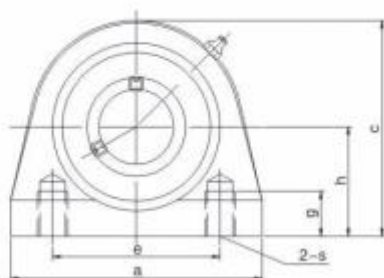
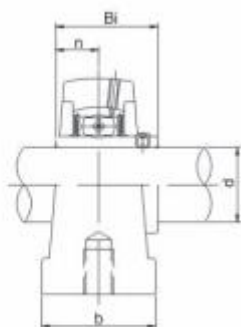


PAPL with closed cover



PAPL with open cover

Technical data:



- /// Stainless steel bearings AISI 440C
- /// Chrome steel bearings 100Cr6
- /// Stainless steel grease nipple AISI 304 M6x1 mm
- /// Operating temperature from -30°C to +100°C.
- /// Cover material: Polypropylene
- /// Oil seal material: NBR Rubber with stainless spring

PAPL shaft size	Catalogue No.	d	H	a	e	B	S	g	c	Bi	n	Weight (kg)
Ø20 mm	PAPL 204	20	33.3	76.0	52.0	38.0	M8	13.0	64.0	31.0	12.7	0.09
Ø25 mm	PAPL 205	25	36.5	84.0	56.0	38.0	M10	13.0	72.0	34.1	14.3	0.12
Ø30 mm	PAPL 206	30	42.9	94.0	66.0	48.0	M10	16.0	84.0	38.1	15.9	0.18
Ø35 mm	PAPL 207	35	47.6	110.0	80.0	48.0	M10	18.0	95.0	42.9	17.5	0.26
Ø40 mm	PAPL 208	40	49.2	116.0	84.0	54.0	M12	20.0	100.0	49.2	19.0	0.30
Ø45 mm	PAPL 209	45	54.2	120.0	90.0	54.0	M12	20.0	108.0	49.2	19.0	0.35
Ø50 mm	PAPL 210	50	57.2	130.0	94.0	60.0	M16	22.0	116.0	51.6	19.0	0.45
Ø55 mm	PAPL 211	55	Please contact us for more information									
Ø60 mm	PAPL 212	60	Please contact us for more information									
All measurements are in millimetres. When ordering please use the catalogue no.												

Tapped Base with Inch thread also available on request

For bearing inserts please see page 64 to 67

For covers and back seal please see page 63

Thermoplastic FBPL 3 hole spherical one side flange bearing units

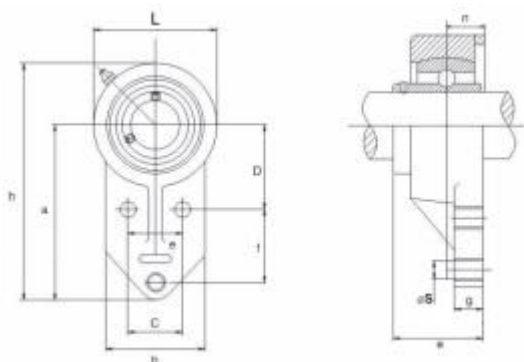


FBPL with closed cover



FBPL with open cover

Technical data:



- /// Stainless steel bearings AISI 440C
- /// Chrome steel bearings 100Cr6
- /// Stainless steel grease nipple AISI 304 M6x1 mm
- /// Operating temperature from -30°C to +100°C.
- /// Cover material: Polypropylene
- /// Oil seal material: NBR Rubber with stainless spring

FBPL shaft size	Catalogue No.	d	a	B	C	D	E	F	G	H	L	s	n	Weight (kg)
Ø20 mm	FBPL 204	20	76.2	62.0	38.1	43.3	34.1	22.0	8.0	108.0	63.5	10.0	12.7	0.08
Ø25 mm	FBPL 205	25	85.7	63.5	41.3	46.0	36.5	28.5	10.0	121.0	70.0	10.0	14.3	0.11
Ø30 mm	FBPL 206	30	96.5	76.0	47.6	52.4	40.9	31.7	10.0	137.0	83.0	12.0	15.9	0.16
Ø35 mm	FBPL 207	35	109.5	89.0	50.8	60.3	46.4	37.7	12.7	156.0	95.0	12.0	17.5	0.23
Ø40 mm	FBPL 208	40	114.0	98.0	54.0	65.0	51.2	41.3	15.9	164.0	100.0	12.0	19.0	0.30
Ø45 mm	FBPL 209	45	Please contact us for more information											
Ø50 mm	FBPL 210	50	Please contact us for more information											
Ø55 mm	FBPL 211	55	Please contact us for more information											
Ø60 mm	FBPL 212	60	Please contact us for more information											
All measurements are in millimetres. When ordering please use the catalogue no.														

For bearing inserts please see page 64 to 67
 For covers and back seal please see page 63

Thermoplastic FCPL 4 hole spherical cartridge flange bearing units

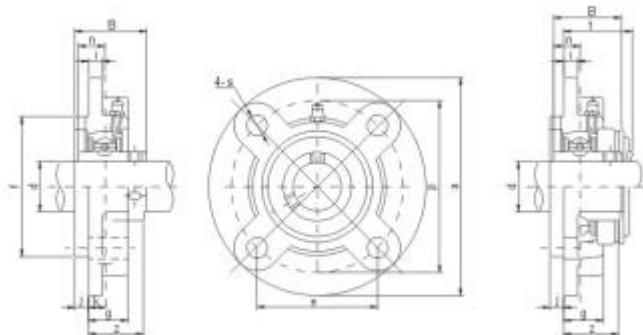


FCPL with closed cover



FCPL with open cover

Technical data:



- /// Stainless steel bearings AISI 440C
- /// Chrome steel bearings 100Cr6
- /// Stainless steel grease nipple AISI 304 M6x1 mm
- /// Operating temperature from -30°C to +100°C.
- /// Cover material: Polypropylene
- /// Oil seal material: NBR Rubber with stainless spring

FCPL shaft size	Catalogue No.	d	A	P	E	i	S	j	K	g	f	Z	B	n	Weight (kg)
Ø20 mm	FCPL 204	20	100	78	55.1	10	12	5	7	20	62	28.3	31.0	12.7	0.12
Ø25 mm	FCPL 205	25	115	90	63.6	10	12	6	7	21	70	29.8	34.1	14.3	0.15
Ø30 mm	FCPL 206	30	125	100	70.7	10	12	8	8	23	80	32.2	38.1	15.9	0.18
Ø35 mm	FCPL 207	35	135	110	77.8	11	14	8	9	26	90	36.4	42.9	17.5	0.25
Ø40 mm	FCPL 208	40	145	120	84.8	11	14	10	9	26	100	41.2	49.2	19.0	0.36
Ø45 mm	FCPL 209	45	160	132	93.3	12	16	12	14	26	105	41.2	49.2	19.0	0.42
Ø50 mm	FCPL 210	50	165	138	97.6	12	16	12	14	28	110	42.6	51.6	19.0	0.49
Ø55 mm	FCPL 211	55	Please contact us for more information												
Ø60 mm	FCPL 212	60	Please contact us for more information												
All measurements are in millimetres. When ordering please use the catalogue no.															

For bearing inserts please see page 64 to 67

For covers and back seal please see page 63

Thermoplastic HPPL spherical hanger bearing units

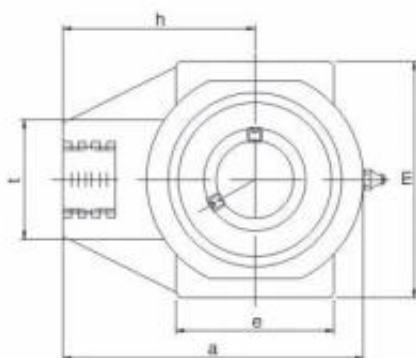
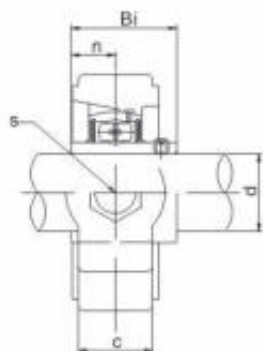


HPPL with closed cover



HPPL with open cover

Technical data:



- /// Stainless steel bearings AISI 440C
- /// Chrome steel bearings 100Cr6
- /// Stainless steel grease nipple AISI 304 M6x1 mm
- /// Operating temperature from -30°C to +100°C.
- /// Cover material: Polypropylene
- /// Oil seal material: NBR Rubber with stainless spring

HPPL shaft size	Catalogue No.	D	A	c	H	M	S	T	e	Bi	N	Weight (kg)
Ø20 mm	HPPL 204	20	99.0	27.5	63.5	65.0	M16	36.0	47.0	31.0	12.7	0.08
Ø25 mm	HPPL 205	25	99.0	27.5	63.5	74.0	M16	36.0	47.0	34.0	14.3	0.11
Ø30 mm	HPPL 206	30	125.0	34.5	76.0	90.0	M16	40.0	63.0	38.1	15.9	0.16
Ø35 mm	HPPL 207	35	125.0	34.5	76.0	90.0	M16	40.0	63.0	42.9	17.5	0.23
Ø40 mm	HPPL 208	40	140.0	34.5	85.0	100.0	M16	40.0	80.0	49.2	19.0	0.30
Ø45 mm	HPPL 209	45	Please contact us for more information									
Ø50 mm	HPPL 210	50	Please contact us for more information									
Ø55 mm	HPPL 211	55	Please contact us for more information									
Ø60 mm	HPPL 212	60	Please contact us for more information									
All measurements are in millimetres. When ordering please use the catalogue no.												

Hanger Unit with Inch thread also available on request

For bearing inserts please see page 64 to 67

For covers and back seal please see page 63

Thermoplastic TPL 3 spherical take up bearing units

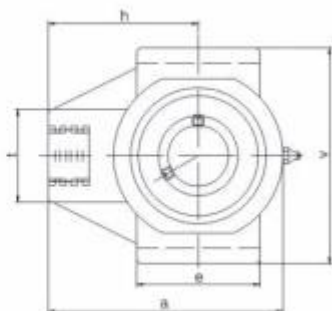
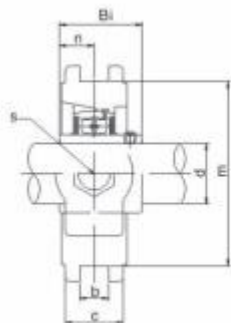


TPL with closed cover



TPL with open cover

Technical data:



- /// Stainless steel bearings AISI 440C
- /// Chrome steel bearings 100Cr6
- /// Stainless steel grease nipple AISI 304 M6x1 mm
- /// Operating temperature from -30°C to +100°C.
- /// Cover material: Polypropylene
- /// Oil seal material: NBR Rubber with stainless spring

TPL shaft size	Catalogue No.	d	a	C	b	H	M	T	v	E	Bi	S	n	Weight (kg)
Ø20 mm	TPL 204	20	99.0	27.5	12.0	63.5	76.0	36.0	88.0	47.0	31.0	M16	12.7	0.08
Ø25 mm	TPL 205	25	99.0	27.5	12.0	63.5	76.0	36.0	88.0	47.0	34.0	M16	14.3	0.11
Ø30 mm	TPL 206	30	125.0	34.5	12.0	76.0	89.0	40.0	102.0	63.0	38.1	M16	15.9	0.16
Ø35 mm	TPL 207	35	125.0	34.5	12.0	76.0	89.0	40.0	102.0	63.0	42.9	M16	17.5	0.23
Ø40 mm	TPL 208	40	140.0	34.5	16.0	85.0	102.0	40.0	114.0	80.0	49.2	M16	19.0	0.30
Ø45 mm	TPL 209	45	Please contact us for more information											
Ø50 mm	TPL 210	50	Please contact us for more information											
Ø55 mm	TPL 211	55	Please contact us for more information											
Ø60 mm	TPL 212	60	Please contact us for more information											
All measurements are in millimetres. When ordering please use the catalogue no.														

Take up with Inch thread also available on request

For bearing inserts please see page 64 to 67

For covers and back seal please see page 63

Stainless steel bearing units

The stainless steel bearing units type is suitable for the food, drug, medical other demanding environments, due to the hygienic design and minimum of maintenance.

Our stainless steel bearing units are characterized by high quality and finish for both the bearing and the bearing housing.

Designed for industries with continuously heavier demands on the material resistance and a design for easy-to-clean.

In order to reduce the risk of bacteria growth, this design is characterized by smooth surfaces and rounded corners.



Features and advantages of our stainless steel bearing units:

- /// Stainless steel housings AISI 304
- /// Stainless steel bearings AISI 440C
- /// Stainless steel grease nipple AISI 304 M6x1 mm
- /// No surface coating are required
- /// Excellent life span
- /// Operating temperature from -30°C to +120°C.
- /// Cover material: Polypropylene or stainless steel AISI 304
- /// Oil seal material: NBR Rubber with stainless spring
- /// The spherical bearing is self-aligning.
- /// The bearing housing measurements are similar to market standards for easy replacement.
- /// The bearing housing can be mounted in all angles
- /// The stainless spherical insert bearings for an easy and precise assembly
- /// The bearing inserts are lubricated with FM222 grease which meet requirements like DIN 51825
- /// Possibility for private label

Stainless steel SP 2 holes spherical pillow block bearing units



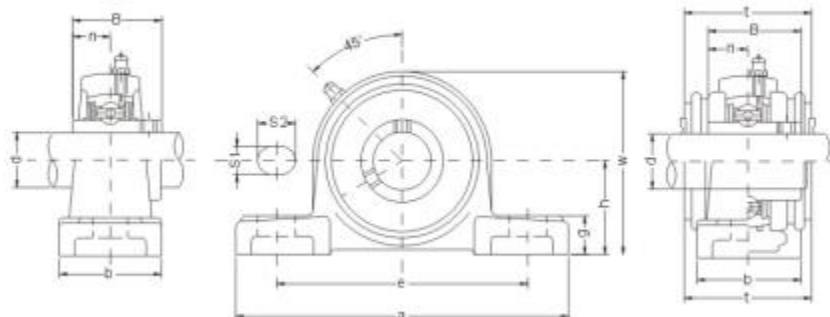
SP with closed cover



SP with open cover



Technical data:



- /// Stainless steel housings AISI 304
- /// Stainless steel bearings AISI 440C
- /// Stainless steel grease nipples AISI 304 M6x1 mm
- /// No surface coating are required
- /// Excellent life span
- /// Operating temperature from -30°C to +120°C.

SP shaft size	Catalogue No.	d	H	a	e	B	s1	s2	G	W	B	n	Weight (kg)
Ø20 mm	SP 204	20	33.3	127.0	95.0	38.0	13	19	14.0	65.0	31.0	12.7	0.66
Ø25 mm	SP 205	25	36.5	140.0	105.0	38.0	13	19	15.0	71.0	34.1	14.3	0.81
Ø30 mm	SP 206	30	42.9	165.0	121.0	48.0	17	20	17.0	84.0	38.1	15.9	1.24
Ø35 mm	SP 207	35	47.6	167.0	127.0	48.0	17	20	18.0	93.0	42.9	17.5	1.58
Ø40 mm	SP 208	40	49.2	184.0	137.0	54.0	17	20	18.0	100.0	49.2	19.0	1.89
Ø45 mm	SP 209	45	54.0	190.0	146.0	54.0	17	20	20.0	106.0	49.2	19.0	2.14
Ø50 mm	SP 210	50	57.2	206.0	159.0	60.0	20	23	21.0	113.0	51.6	19.0	2.66
Ø55 mm	SP 211	55	63.5	219.0	171.0	60.0	20	23	23.0	125.0	55.6	22.1	3.31
Ø60 mm	SP 212	60	69.8	241.0	184.0	70.0	20	23	25.0	138.0	65.1	25.4	4.90

All measurements are in millimetres. When ordering please use the catalogue no.

For bearing inserts please see page 64 to 67

For covers and back seal please see page 63

SP shaft size from 65mm to 90mm, please contact us

Stainless steel SF 4 holes spherical square flange bearing units



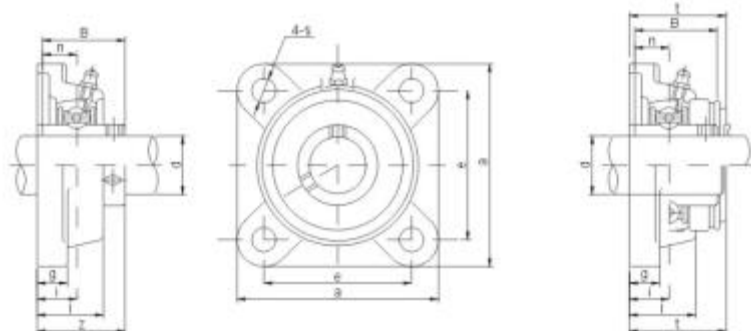
SF with closed cover



SF with open cover



Technical data:



- /// Stainless steel housings AISI 304
- /// Stainless steel bearings AISI 440C
- /// Stainless steel grease nipples AISI 304 M6x1 mm
- /// No surface coating are required
- /// Excellent life span
- /// Operating temperature from -30°C to +120°C.

SF shaft size	Catalogue No.	d	a	e	G	L	S	Z	B	n	i	Weight (kg)
Ø20 mm	SF 204	20	86.0	64.0	12.0	25.5	12	33.3	31.0	12.7	15.0	0.56
Ø25 mm	SF 205	25	95.0	70.0	14.0	27.0	12	35.8	34.1	14.3	16.0	0.80
Ø30 mm	SF 206	30	108.0	83.0	14.0	31.0	12	40.2	38.1	15.9	18.0	1.12
Ø35 mm	SF 207	35	117.0	92.0	16.0	34.0	14	44.4	42.9	17.5	19.0	1.46
Ø40 mm	SF 208	40	130.0	102.0	16.0	36.0	16	51.2	49.2	19.0	21.0	1.84
Ø45 mm	SF 209	45	137.0	105.0	18.0	38.0	16	52.2	49.2	19.0	22.0	2.15
Ø50 mm	SF 210	50	143.0	111.0	18.0	40.0	16	54.6	51.6	19.0	22.0	2.42
Ø55 mm	SF 211	55	162.0	130.0	20.0	43.0	19	58.4	55.6	22.2	25.0	3.31
Ø60 mm	SF 212	60	175.0	143.0	20.0	48.0	19	68.7	65.1	25.4	29.0	4.28

All measurements are in millimetres. When ordering please use the catalogue no.

For bearing inserts please see page 64 to 67

For covers and back seal please see page 63

SF shaft size from 65mm to 90mm, please contact us

Stainless steel SFL 2 holes spherical oval flange bearing units



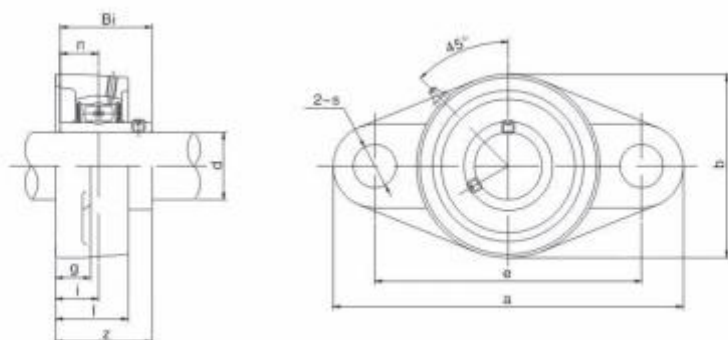
SFL with closed cover



SFL with open cover



Technical data:



- /// Stainless steel housings AISI 304
- /// Stainless steel bearings AISI 440C
- /// Stainless steel grease nipples AISI 304 M6x1 mm
- /// No surface coating are required
- /// Excellent life span
- /// Operating temperature from -30°C to +120°C.

SFL shaft size	Catalogue No.	d	A	e	b	G	L	s	Z	Bi	n	l	Weight (kg)
Ø20 mm	SFL 204	20	113.0	90.0	60.0	11.0	25.5	12	33.3	31.0	12.7	15.0	0.41
Ø25 mm	SFL 205	25	130.0	99.0	68.0	13.0	27.0	16	35.8	34.1	14.3	16.0	0.58
Ø30 mm	SFL 206	30	148.0	117.0	80.0	13.0	31.0	16	40.2	38.1	15.9	18.0	0.86
Ø35 mm	SFL 207	35	161.0	130.0	90.0	14.0	34.0	16	44.4	42.9	17.5	19.0	1.08
Ø40 mm	SFL 208	40	175.0	144.0	100.0	14.0	36.0	16	51.2	49.2	19.0	21.0	1.44
Ø45 mm	SFL 209	45	188.0	148.0	108.0	15.0	38.0	19	52.2	49.2	19.0	22.0	1.74
Ø50 mm	SFL 210	50	197.0	157.0	115.0	15.0	40.0	19	54.6	51.6	19.0	22.0	2.10
Ø55 mm	SFL 211	55	224.0	184.0	130.0	18.0	43.0	19	58.4	55.6	22.2	25.0	2.91
Ø60 mm	SFL 212	60	250.0	202.0	140.0	18.0	48.0	23	68.7	65.1	25.4	29.0	3.74

All measurements are in millimetres. When ordering please use the catalogue no.

For bearing inserts please see page 64 to 67

For covers and back seal please see page 63

SFL shaft size from 65mm to 90mm, please contact us

Stainless steel SPA 2 holes spherical pillow block bearing units



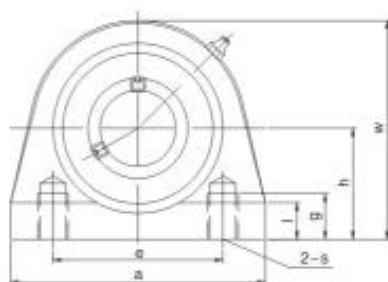
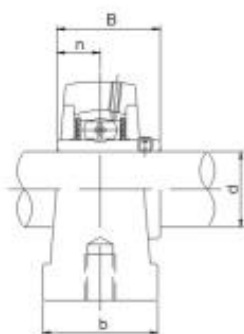
SPA with closed cover



SPA with open cover



Technical data:



- /// Stainless steel housings AISI 304
- /// Stainless steel bearings AISI 440C
- /// Stainless steel grease nipples AISI 304 M6x1 mm
- /// No surface coating are required
- /// Excellent life span
- /// Operating temperature from -30°C to +120°C.

SPA shaft size	Catalogue No.	D	H	a	E	B	S	g	w	B	n	Weight (kg)
Ø20 mm	SPA 204	20	30.2	76.0	52.0	38.0	M8	15.0	62.0	31.0	12.7	0.56
Ø25 mm	SPA 205	25	36.5	84.0	56.0	40.0	M10	15.0	72.0	34.1	14.3	0.83
Ø30 mm	SPA 206	30	42.9	94.0	66.0	50.0	M10	18.0	84.0	38.1	15.9	1.12
Ø35 mm	SPA 207	35	47.6	110.0	80.0	55.0	M10	20.0	95.0	42.9	17.5	1.48
Ø40 mm	SPA 208	40	49.2	116.0	84.0	58.0	M10	20.0	100.0	49.2	19.0	1.89
Ø45 mm	SPA 209	45	54.2	120.0	90.0	60.0	M12	25.0	108.0	49.2	19.0	1.98
Ø50 mm	SPA 210	50	57.2	130.0	94.0	64.0	M16	25.0	116.0	51.6	19.0	2.16
Ø55 mm	SPA 211	55	63.5	140.0	104.0	66.0	M16	25.0	125.0	55.6	22.2	3.26
Ø60 mm	SPA 212	60	69.9	150.0	114.0	68.0	M16	25.0	138.0	65.1	25.4	4.19

All measurements are in millimetres. When ordering please use the catalogue no.

Tapped Base with Inch thread also available on request

For bearing inserts please see page 64 to 67

For covers and back seal please see page 63

Stainless steel SFB 3 holes spherical flange bearing units



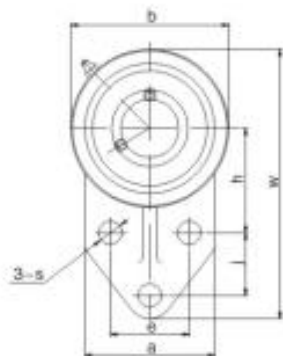
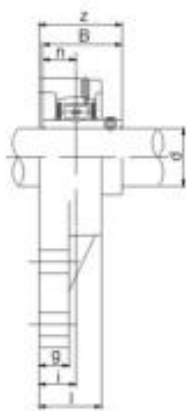
SFB with closed cover



SFB with open cover



Technical data:



- /// Stainless steel housings AISI 304
- /// Stainless steel bearings AISI 440C
- /// Stainless steel grease nipples AISI 304 M6x1 mm
- /// No surface coating are required
- /// Excellent life span
- /// Operating temperature from -30°C to +120°C.

SFB shaft size	Catalogue No.	D	W	B	A	L	S	G	H	j	E	Z	B	n	Weight (kg)
Ø20 mm	SFB 204	20	110	62	52	25	10	13	42	27	32	33.3	31.0	12.7	0.54
Ø25 mm	SFB 205	25	116	68	56	27	10	13	45	27	34	35.8	34.1	14.3	0.79
Ø30 mm	SFB 206	30	130	78	65	31	10	13	50	29	40	40.2	38.1	15.9	0.95
Ø35 mm	SFB 207	35	144	90	70	34	10	15	55	32	46	44.4	42.9	17.5	1.29
Ø40 mm	SFB 208	40	164	100	78	36	12	16	60	41	50	51.2	49.2	19.0	1.78
Ø45 mm	SFB 209	45	174	106	80	38	12	18	65	43	54	52.2	49.2	19.0	1.91
Ø50 mm	SFB 210	50	184	112	86	40	12	18	68	46	58	54.6	51.6	19.0	2.36
Ø55 mm	SFB 211	55	207	130	90	43	14	18	78	50	62	58.4	55.6	22.2	3.15
Ø60 mm	SFB 212	60	223	140	94	48	14	18	84	55	66	68.7	65.1	25.4	3.99

All measurements are in millimetres. When ordering please use the catalogue no.

For bearing inserts please see page 64 to 67

For covers and back seal please see page 63

Stainless steel SFC 4 holes spherical flange cartridge bearing units



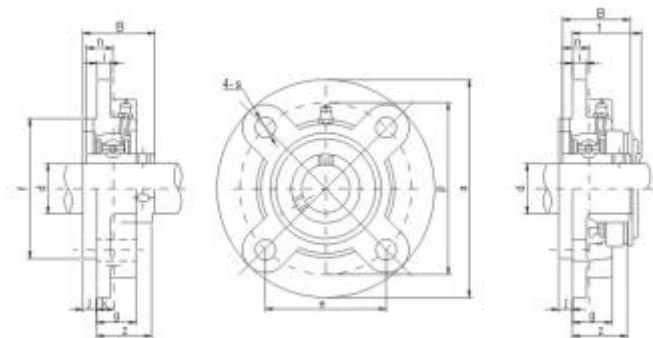
SFC with closed cover



SFC with open cover



Technical data:



- /// Stainless steel housings AISI 304
- /// Stainless steel bearings AISI 440C
- /// Stainless steel grease nipples AISI 304 M6x1 mm
- /// No surface coating are required
- /// Excellent life span
- /// Operating temperature from -30°C to +120°C.

SFC shaft size	Catalogue No.	D	A	p	e	s	j	K	g	f	z	B	n	Weight (kg)
Ø20 mm	SFC 204	20	100	78	55.1	12	5	7	20	62	28.3	31.0	12.7	0.69
Ø25 mm	SFC 205	25	115	90	63.6	12	6	7	21	70	29.8	34.1	14.3	1.00
Ø30 mm	SFC 206	30	125	100	70.7	12	8	8	23	80	32.2	38.1	15.9	1.30
Ø35 mm	SFC 207	35	135	110	77.8	14	8	9	26	90	36.4	42.9	17.5	1.81
Ø40 mm	SFC 208	40	145	120	84.8	14	10	9	26	100	41.2	49.2	19.0	2.14
Ø45 mm	SFC 209	45	160	132	93.3	16	12	14	26	105	41.2	49.2	19.0	2.68
Ø50 mm	SFC 210	50	165	138	97.6	16	12	14	28	110	42.6	51.6	19.0	2.90
Ø55 mm	SFC 211	55	185	150	106.1	19	12	15	31	125	46.4	55.6	22.2	4.01
Ø60 mm	SFC 212	60	195	160	113.1	19	12	15	36	135	56.7	65.1	25.4	4.94

All measurements are in millimetres. When ordering please use the catalogue no.

For bearing inserts please see page 64 to 67

For covers and back seal please see page 63

SFC shaft size from 65mm to 90mm, please contact us

Stainless steel SHA spherical hanger bearing units

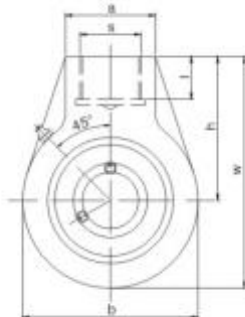
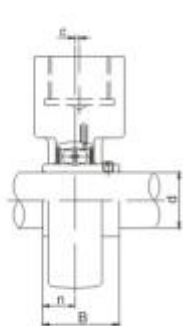


SHA with closed cover



SHA with open cover

Technical data:



- /// Stainless steel housings AISI 304
- /// Stainless steel bearings AISI 440C
- /// Stainless steel grease nipples AISI 304 M6x1 mm
- /// No surface coating are required
- /// Excellent life span
- /// Operating temperature from -30°C to +120°C.

SHA shaft size	Catalogue No.	d	H	W	B	C	A	S	L	B	n	Weight (kg)
Ø20 mm	SHA 204	20	64	96	64	0	40	M20	19	31.0	12.7	0.69
Ø25 mm	SHA 205	25	64	103	78	0	40	M20	19	34.1	14.3	0.83
Ø30 mm	SHA 206	30	64	103	78	0	40	M20	19	38.1	15.9	1.00
Ø35 mm	SHA 207	35	70	116	92	0	40	M20	19	42.9	17.5	1.16
Ø40 mm	SHA 208	40	73	121	96	2	40	M20	19	49.2	19.0	1.32
Ø45 mm	SHA 209	45	82	136	108	5	48	M24	21	49.2	19.0	1.92
Ø50 mm	SHA 210	50	83	142	118	5	48	M24	21	51.6	19.0	2.30
Ø55 mm	SHA 211	55	87	150	126	7	60	M30	25	55.6	22.2	2.61
Ø60 mm	SHA 212	60	102	173	142	9	60	M30	28	65.1	25.4	3.54

All measurements are in millimetres. When ordering please use the catalogue no.

Hanger Unit with Inch thread also available on request

For bearing inserts please see page 64 to 67

For covers and back seal please see page 63

Stainless steel ST spherical take up bearing units

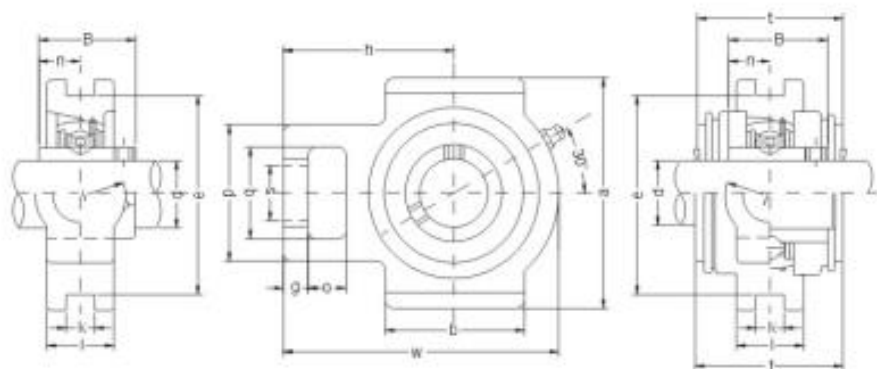


ST with closed cover



ST with open cover

Technical data:



- /// Stainless steel housings AISI 304
- /// Stainless steel bearings AISI 440C
- /// Stainless steel grease nipples AISI 304 M6x1 mm
- /// No surface coating are required
- /// Excellent life span
- /// Operating temperature from -30°C to +120°C.

ST shaft size	Catalogue No.	d	O	G	q	S	B	K	e	a	w	h	B	n	Weight (kg)
Ø20 mm	ST 204	20	16	10	32	19	51	12	76	89	94	61	31.0	12.7	0.69
Ø25 mm	ST 205	25	16	10	32	19	51	12	76	89	97	62	34.1	14.3	0.83
Ø30 mm	ST 206	30	16	10	37	22	57	12	89	102	113	70	38.1	15.9	1.00
Ø35 mm	ST 207	35	16	13	37	22	64	12	89	102	129	78	42.9	17.5	1.16
Ø40 mm	ST 208	40	19	16	49	29	83	16	102	114	144	87	49.2	19.0	1.32
Ø45 mm	ST 209	45	19	16	49	29	83	16	102	117	144	87	49.2	19.0	1.92
Ø50 mm	ST 210	50	19	16	49	29	86	16	102	117	149	90	51.6	19.0	2.30
Ø55 mm	ST 211	55	25	19	64	35	95	22	130	146	171	106	55.6	22.2	2.61
Ø60 mm	ST 212	60	32	19	64	35	102	22	130	146	194	119	65.1	25.4	3.54

All measurements are in millimetres. When ordering please use the catalogue no.

For bearing inserts please see page 64 to 67

For covers and back seal please see page 63

Closed and open cover for bearing units

Closed and open cover with double lip oil seal and stainless steel spring

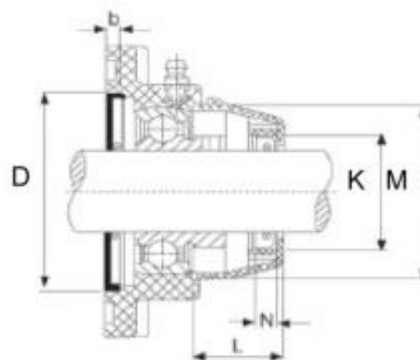
The open cover is very tight to the bearing house (OC) Open and (CC) Closed Cover with Logo
Cover material: Polypropylene

The closed cover is very tight to the bearing house (OCSS) Open and (CCSS) Closed Cover with Logo
Cover material: Aisi 304



Double lip oil seal with stainless steel spring (BS)
The oil seal is very tight to the bearing house base
Oil seal material: NBR Rubber with stainless spring

Possibility for private label



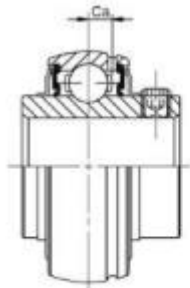
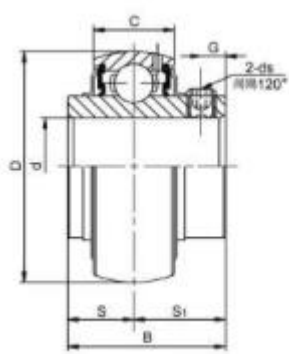
With OC and BS

Cover	Catalogue No.	Catalogue No.	D	K	N	L	M	Oil seal	Catalogue No.	d	b	D
Ø20 mm	OC 204	CC 204	20	32	7	23	50	Ø20 mm	BS 204	20	6	52
Ø25 mm	OC 205	CC 205	25	37	7	25	55	Ø25 mm	BS 205	25	6	62
Ø30 mm	OC 206	CC 206	30	42	7	30	64	Ø30 mm	BS 206	30	6	72
Ø35 mm	OC 207	CC 207	35	47	7	32	74	Ø35 mm	BS 207	35	6	82
Ø40 mm	OC 208	CC 208	40	52	7	37	84	Ø40 mm	BS 208	40	6	88
Ø45 mm	OC 209	CC 209	45	57	7	41	89	Ø45 mm	BS 209	45	6	93
Ø50 mm	OC 210	CC 210	50	62	7	47	94	Ø50 mm	BS 210	50	6	98
Ø55 mm	Please contact us for more information							Ø55 mm	Please contact us for more information			
Ø60 mm	Please contact us for more information							Ø60 mm	Please contact us for more information			

All measurements are in millimetres. When ordering please use the catalogue no.

Stainless Steel Bearing Insert

Stainless Steel Bearing Insert SUC200 Series



Bearing No.	Shaft Diameter (mm)	Dimensions (mm)								Dynamic Load (KN)	Static Load (KN)	Weight (kg)
		D	B	C	S	S1	G	Ds (mm)	Ca			
SUC204	20	47	31	17	12,7	18,3	5	M6x1	4,3	9,88	6,2	0,16
SUC205	25	52	34,1	17	14,3	19,8	5,4	M6x1	4,2	10,78	6,98	0,18
SUC206	30	62	38,1	19	15,9	22,2	5,5	M6x1	5,3	14,97	10,04	0,33
SUC207	35	72	42,9	20	17,5	25,4	6,9	M8x1	5,8	19,75	13,67	0,49
SUC208	40	80	49,2	21	19	30,2	8	M8x1	6,2	22,71	15,94	0,65
SUC209	45	85	49,2	22	19	30,2	8	M8x1	6,5	24,36	17,71	0,71
SUC210	50	90	51,6	24	19	32,6	10	M10x1.25	7	26,98	19,84	0,8
SUC211	55	100	55,6	25	22,2	33,4	10	M10x1.25	7,4	33,37	25,11	1,08
SUC212	60	110	65,1	27	25,4	39,7	10	M10x1.25	7,6	36,74	27,97	1,51

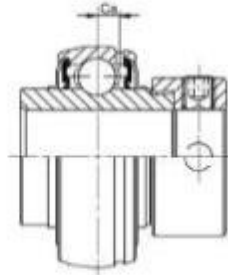
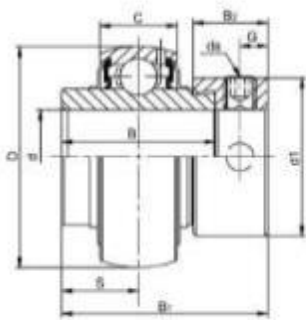
All measurements are in millimetres. When ordering please use the catalogue no.
SUC shaft size from 65mm to 90mm, please contact us

Wide light duty inner race with set screw locking and with spherical outer ring
Lubrication groove with oil hole on set screw side as standard
Anti-rotation pin on side opposite grease groove

Stainless steel bearing insert material:

1. Inner and Outer ring: AISI 440C
2. Balls: AISI 440C or 100Cr6
3. Retainer: AISI 304
4. Set screw and collar lock: AISI 304
5. Seal: Nitrile rubber (NBR) or FDA approved silicone (Si) rubber
6. Slinger: AISI 304

Stainless Steel Bearing Insert SHC200 Series



Bearing No.	Shaft Dia. (mm)	Dimensions (mm)										Dynamic Load (KN)	Static Load (KN)	Weight (kg)
		D	B	C	S	B1	B2	d1	G	Ds (mm)	Ca			
SHC204	20	47	34,2	17	17,1	43,7	13,5	33,3	5	M6x1	4,3	9,88	6,2	0,21
SHC205	25	52	34,9	17	17,5	44,4	13,5	38,1	5	M6x1	4,2	10,78	6,98	0,25
SHC206	30	62	36,5	19	18,3	48,4	15,9	44,5	6	M6x1	5,3	14,97	10,04	0,39
SHC207	35	72	37,6	20	18,8	51,1	17,5	55,6	6,5	M8x1	5,8	19,75	13,67	0,6
SHC208	40	80	42,8	21	21,4	56,3	18,3	60,3	6,5	M8x1	6,2	22,71	15,94	0,77
SHC209	45	85	42,8	22	21,4	56,3	18,3	63,5	6,5	M8x1	6,5	24,36	17,71	0,84
SHC210	50	90	49,2	24	24,6	62,7	18,3	69,9	6,5	M8x1	7	26,98	19,84	1,02
SHC211	55	100	55,5	25	27,8	71,4	20,7	76,2	8	M10x1.25	7,4	33,37	25,11	1,37
SHC212	60	110	61,9	27	31	77,8	22,3	84,2	8	M10x1.25	7,6	36,74	27,97	1,85

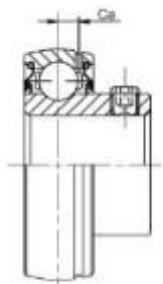
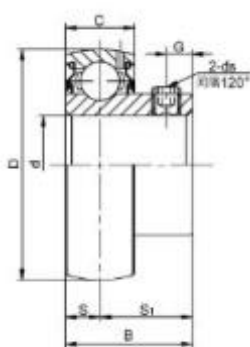
All measurements are in millimetres. When ordering please use the catalogue no. SHC shaft size from 65mm to 90mm, please contact us

Wide light duty inner race with eccentric locking and with spherical outer ring
 Lubrication groove with oil hole on set screw side as standard
 Anti-rotation pin on side opposite grease groove

Stainless steel bearing insert material:

1. Inner and Outer ring: AISI 440C
2. Balls: AISI 440C or 100Cr6
3. Retainer: AISI 304
4. Set screw and collar lock: AISI 304
5. Seal: Nitrile rubber (NBR) or FDA approved silicone (Si) rubber
6. Slinger: AISI 304

Stainless Steel Bearing Insert SSB200 Series



Bearing No.	Shaft Diameter (mm)	Dimensions (mm)								Dynamic Load (KN)	Static Load (KN)	Weight (kg)
		D	B	C	S	S1	G	Ds (mm)	Ca			
SSB204	20	47	25	14	7	18	5	M6x1	4	9,88	6,2	0,12
SSB205	25	52	27	15	7,5	19,5	5,5	M6x1	4	10,78	6,98	0,18
SSB206	30	62	30	16	8	22	5,9	M6x1	4,9	14,97	10,04	0,26
SSB207	35	72	32	17	8,5	23,5	8	M8x1	5,4	19,75	13,67	0,43
SSB208	40	80	34	18	9	25	8	M8x1	5,8	22,71	15,94	0,6
SSB209	45	85	36	19	9,5	26,5	8	M8x1	6,1	24,36	17,71	0,8
SSB210	50	90	38	20	10	28	10	M10X1.25	6,5	26,98	19,84	0,83
SSB211	55	100	40	21	10,5	29,5	10	M10X1.25	7	33,37	25,11	1,12
SSB212	60	110	42	22	11	31	10	M10X1.25	7,3	36,74	27,97	1,55

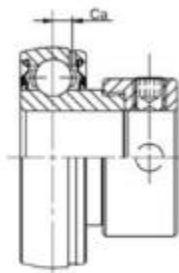
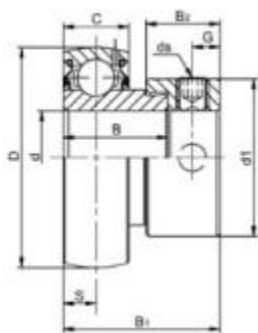
All measurements are in millimetres. When ordering please use the catalogue no.

Narrow light duty inner race with set screw locking and with spherical outer ring
 Lubrication groove with oil hole on set screw side on request
 Anti-rotation pin on side opposite grease groove

Stainless steel bearing insert material:

1. Inner and Outer ring: AISI 440C
2. Balls: AISI 440C or 100Cr6
3. Retainer: AISI 304
4. Set screw and collar lock: AISI 304
5. Seal: Nitrile rubber (NBR) or FDA approved silicone (Si) rubber
6. Slinger: AISI 304

Stainless Steel Bearing Insert SSA200 Series



Bearing No.	Shaft Dia. (mm)	Dimensions (mm)										Dynamic Load (KN)	Static Load (KN)	Weight (kg)
		D	B	C	S	B1	B2	d1	G	ds (mm)	Ca			
SSA204	20	47	21,5	14	7	31	13,5	33,3	5	M6x1	4	9,88	6,2	0,21
SSA205	25	52	22	15	7,5	31,5	13,5	38,1	5	M6x1	4	10,78	6,98	0,25
SSA206	30	62	23,8	16	8	35,7	15,9	44,5	6	M6x1	4,9	14,97	10,04	0,39
SSA207	35	72	25,4	17	8,5	38,9	17,5	55,6	6,5	M8x1	5,4	19,75	13,67	0,6
SSA208	40	80	30,2	18	9	43,7	18,3	60,3	6,5	M8x1	5,8	22,71	15,94	0,77
SSA209	45	85	30,2	19	9,5	43,7	18,3	63,5	6,5	M8x1	6,1	24,36	17,71	0,84
SSA210	50	90	30,2	20	10	43,7	18,3	69,9	6,5	M8x1	6,5	26,98	19,84	1,02
SSA211	55	100	32,5	21	10,5	48,4	20,7	76,2	8	M10X1.25	7	33,37	25,11	1,37
SSA212	60	110	37,2	22	11	53,1	22,3	84,2	8	M10x1.25	7,3	36,74	27,97	1,85

All measurements are in millimetres. When ordering please use the catalogue no.

Narrow light duty inner race with eccentric locking ring and with spherical outer ring
 Lubrication groove with oil hole on set screw side on request
 Anti-rotation pin on side opposite grease groove

Stainless steel bearing insert material:

1. Inner and Outer ring: AISI 440C
2. Balls: AISI 440C or 100Cr6
3. Retainer: AISI 304
4. Set screw and collar lock: AISI 304
5. Seal: Nitrile rubber (NBR) or FDA approved silicone (Si) rubber
6. Slinger: AISI 304

Mini stainless steel flange bearing unit

Mini stainless steel flange bearing unit with eccentric collar lock

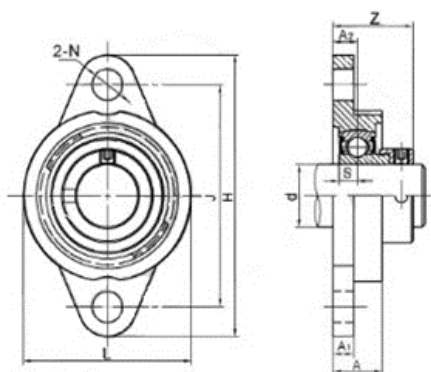
The 2-holes mini stainless steel flange bearing unit type SUFL with eccentric collar locks are extra narrow bearing units in hygienic design.



SUFL-type with closed cover



SUFL-type with open cover



Features and advantages:

- /// Stainless steel housings AISI 304
- /// Stainless steel bearings AISI 440C
- /// Seal: Nitrile rubber (NBR) or FDA approved silicone (Si) rubber
- /// Narrow bearings
- /// No surface coating are required
- /// Eccentric collar lock
- /// Excellent life span
- /// Operating temperature from -30°C to +120°C.

Unit No.	Dia. (mm)	Dimensions (mm)									Bolt Size	Bearing No.	Housing No.	Weight (Kg)
		H	J	A2	A1	A	N	L	S	Z				
SUFL000	10	60	45	6	6	12	7	36	4	19,7	M6	SU000	SFL000	0,07
SUFL001	12	63	48	6	6	12	7	38	4	19,7	M6	SU001	SFL001	0,08
SUFL002	15	67	53	6,5	6,5	13	7	42	4,5	20,7	M6	SU002	SFL002	0,11
SUFL003	17	71	56	7	7	14	7	46	5	22,7	M6	SU003	SFL003	0,14
SUFL004	20	90	71	8	8	16	10	55	6	26,2	M8	SU004	SFL004	0,23
SUFL005	25	95	75	8	8	16	10	60	6	27	M8	SU005	SFL005	0,27
SUFL006	30	112	85	9	9	18	13	70	6,5	28,5	M10	SU006	SFL006	0,39

All measurements are in millimetres. When ordering please use the catalogue no.

For bearing inserts please see page 38 to 39

For covers and back seal please see page 37

Mini stainless steel flange bearing unit with set screw lock

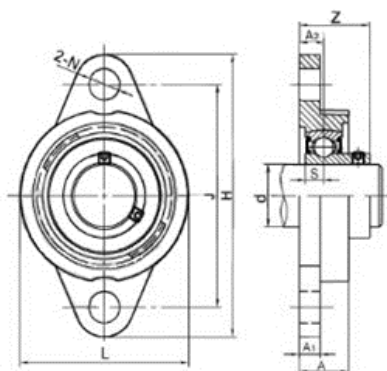
The 2-holes mini stainless steel flange bearing units type SKFL with set screw locks are extra narrow bearing units in hygienic design.



SKFL-type with closed cover



SKFL-type with open cover



Features and advantages:

- /// Stainless steel housings AISI 304
- /// Stainless steel bearings AISI 440C
- /// Seal: Nitrile rubber (NBR) or FDA approved silicone (Si) rubber
- /// Narrow bearings
- /// No surface coating are required
- /// Set screw lock
- /// Excellent life span
- /// Operating temperature from -30°C to +120°C.

Unit No.	Dia. (mm)	Dimensions (mm)									Bolt Size	Bearing No.	Housing No.	Weight (Kg)
		H	J	A2	A1	A	N	L	S	z				
SKFL000	10	60	45	6	6	12	7	36	4	16	M6	SK000	SFL000	0,07
SKFL001	12	63	48	6	6	12	7	38	4	16,5	M6	SK001	SFL001	0,08
SKFL002	15	67	53	6,5	6,5	13	7	42	4,5	18,5	M6	SK002	SFL002	0,11
SKFL003	17	71	56	7	7	14	7	46	5	19,5	M6	SK003	SFL003	0,14
SKFL004	20	90	71	8	8	16	10	55	6	23	M8	SK004	SFL004	0,23
SKFL005	25	95	75	8	8	16	10	60	6	24,5	M8	SK005	SFL005	0,27
SKFL006	30	112	85	9	9	18	13	70	6,5	27	M10	SK006	SFL006	0,39

All measurements are in millimetres. When ordering please use the catalogue no.

For bearing inserts please see page 38 to 39

For covers and back seal please see page 37

Mini stainless steel pillow block bearing unit with eccentric collar lock

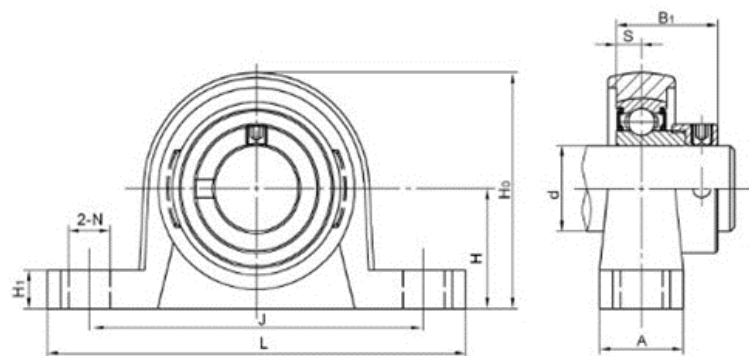
The mini stainless steel pillow block bearing unit type SUP with eccentric collar lock are extra narrow bearing units in hygienic design.



SUP-type with closed cover



SUP-type with open cover



Features and advantages:

- /// Stainless steel housings AISI 304
- /// Stainless steel bearings AISI 440C
- /// Seal: Nitrile rubber (NBR) or FDA approved silicone (Si) rubber
- /// Narrow bearings
- /// No surface coating are required
- /// Eccentric collar lock
- /// Excellent life span
- /// Operating temperature from -30°C to +120°C.

Unit No.	Dia. (mm)	Dimensions (mm)									Bolt Size	Bearing No.	Housing No.	Weight (Kg)
		H	L	J	A	H1	Ho	N	S	B1				
SUP000	10	18	67	53	16	6	35	7	4	17,7	M6	SU000	SP000	0,08
SUP001	12	19	71	56	16	6	38	7	4	17,7	M6	SU001	SP001	0,1
SUP002	15	22	80	63	16	7	43	7	4,5	18,7	M6	SU002	SP002	0,14
SUP003	17	24	85	67	18	7	47	7	5	20,7	M6	SU003	SP003	0,17
SUP004	20	28	100	80	20	9	55	10	6	24,2	M8	SU004	SP004	0,26
SUP005	25	32	112	90	20	10	62	10	6	25	M8	SU005	SP005	0,33
SUP006	30	36	132	106	26	11	70	13	6,5	26	M10	SU006	SP006	0,5

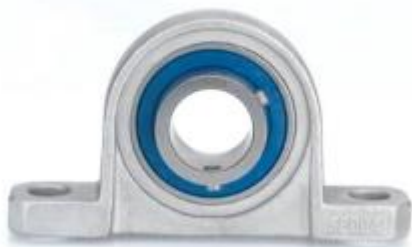
All measurements are in millimetres. When ordering please use the catalogue no.

For bearing inserts please see page 38 to 39

For covers and back seal please see page 37

Mini stainless steel pillow block bearing unit with set screw lock

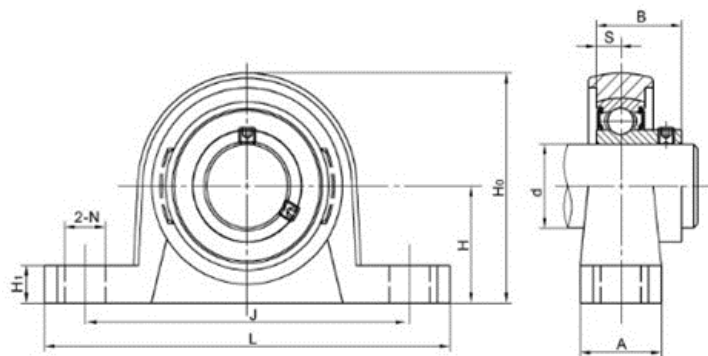
The mini stainless steel pillow block bearing unit type SKP with eccentric collar lock are extra narrow bearing units in hygienic design.



SKP-type with closed cover



SKP-type with open cover



Features and advantages:

- /// Stainless steel housings AISI 304
- /// Stainless steel bearings AISI 440C
- /// Seal: Nitrile rubber (NBR) or FDA approved silicone (Si) rubber
- /// Narrow bearings
- /// No surface coating are required
- /// Set screw lock
- /// Excellent life span
- /// Operating temperature from -30°C to +120°C.

Unit No.	Dia. (mm)	Dimensions (mm)									Bolt Size	Bearing No.	Housing No.	Weight (Kg)
		H	L	J	A	H1	Ho	N	S	B				
SKP000	10	18	67	53	16	6	35	7	4	14	M6	SK000	SP000	0,03
SKP001	12	19	71	56	16	6	38	7	4	14,5	M6	SK001	SP001	0,04
SKP002	15	22	80	63	16	7	43	7	4,5	16,5	M6	SK002	SP002	0,05
SKP003	17	24	85	67	18	7	47	7	5	17,5	M6	SK003	SP003	0,07
SKP004	20	28	100	80	20	9	55	10	6	21	M8	SK004	SP004	0,11
SKP005	25	32	112	90	20	10	62	10	6	22,5	M8	SK005	SP005	0,15
SKP006	30	36	132	106	26	11	70	13	6,5	24,5	M10	SK006	SP006	0,21

All measurements are in millimetres. When ordering please use the catalogue no.

For bearing inserts please see page 38 to 39

For covers and back seal please see page 37

Closed and open cover for mini bearing units

Closed and open cover with double lip oil seal and stainless steel spring

The open cover is very tight to the bearing house

Cover material: Polypropylene

(OC) Open Cover with Logo

(CC) Closed Cover with Logo

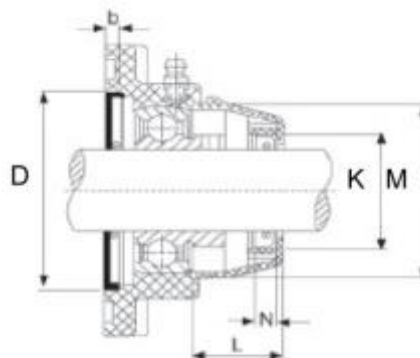


Double lip oil seal with stainless steel spring (BS)

The oil seal is very tight to the bearing house base

Oil seal material: NBR Rubber with stainless spring

Possibility for private label

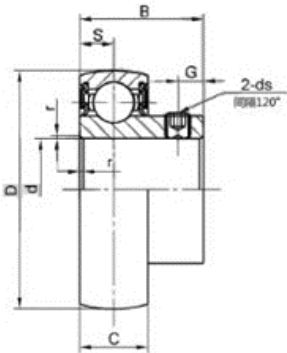


With OC and BS

Cover	Catalogue No.	Catalogue No.	Shaft Diameter	Oil seal	Catalogue No.	Shaft Diameter
Ø10 mm	OC 000	CC 000	10	Ø10 mm	BS 000	10
Ø12 mm	OC 001	CC 001	12	Ø12 mm	BS 001	12
Ø15 mm	OC 002	CC 002	15	Ø15 mm	BS 002	15
Ø17 mm	OC 003	CC 003	17	Ø17 mm	BS 003	17
Ø20 mm	OC 004	CC 004	20	Ø20 mm	BS 004	20
Ø25 mm	OC 005	CC 005	25	Ø25 mm	BS 005	25
Ø30 mm	OC 006	CC 006	30	Ø30 mm	BS 006	30

All measurements are in millimetres. When ordering please use the catalogue no.

Stainless Steel Mini Bearing Insert SK000 - Set screw lock



Bearing No.	Shaft Diameter (mm)	Dimensions (mm)							Dynamic Load (KN)	Static Load (KN)	Weight (kg)
		D	B	C	S	r	G	ds			
SK 000	10	26	14	8	4	0,5	3	M3X0.35	3,5	1,73	0,03
SK 001	12	28	14,5	8	4	0,5	3	M3X0.35	3,93	2,39	0,04
SK 002	15	32	16,5	9	4,5	0,5	3,5	M4X0.5	4,3	2,51	0,05
SK 003	17	35	17,5	10	5	0,5	3,5	M4X0.5	4,62	2,79	0,07
SK 004	20	42	21	12	6	1	4	M5X0.5	7,22	4,46	0,11
SK 005	25	47	22,5	12	6	1	4,5	M5X0.5	7,74	4,96	0,15
SK 006	30	55	24,5	13	6,5	1,5	5	M5X0.5	10,18	6,91	0,21

All measurements are in millimetres. When ordering please use the catalogue no.

Narrow light inner race with set screw locking and with spherical outer ring

Lubrication groove with oil hole on set screw side on request

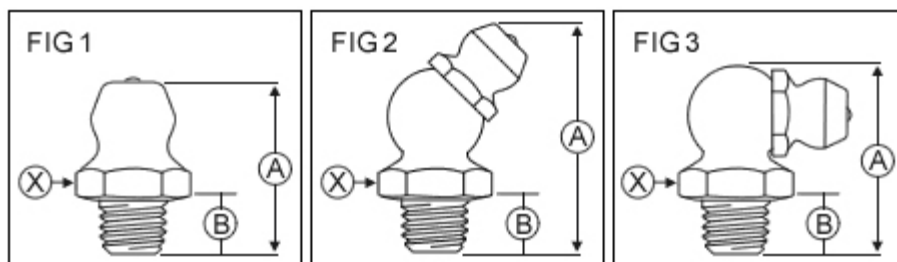
Anti-rotation pin on side opposite grease groove

Stainless steel bearing insert material:

1. Inner and Outer ring: AISI 440C
2. Balls: AISI 440C or 100Cr6
3. Retainer: AISI 304
4. Set screw and collar lock: AISI 304
5. Seal: Nitrile rubber (NBR) or FDA approved silicone (Si) rubber
6. Slinger: AISI 304

Stainless Steel Grease Fittings

Stainless Steel Grease Fittings withstand severe and corrosive environments and offer greater corrosion resistance than traditional carbon steel grease fittings. SAE Products Stainless Steel Grease Fittings are comprised of Type 303 stainless for fitting bodies, Type 440 stainless for balls and Type 302 stainless for tempered springs. Stainless Steel Grease Fittings are also referred to as Stainless Steel Grease Nipples, Stainless Steel Zerk Fittings, Stainless Steel Grease Zerks and Stainless Steel Lubrication Fittings.



Stainless Steel Grease Fittings available in 5mm, 6mm, 8mm, 10mm and 12mm
 Stainless Steel Grease Fittings available as straight (FIG1), 45 degree (FIG2) and 90 degree (FIG3) shaped

NBR Oil seal DIN 3760 with stainless steel spring

Advantages

- Good static sealing
 - Compensation of different thermal expansion
 - Reduced risk of fretting corrosion
 - Higher bore surface roughness is allowed
 - Installation in split-housings
 - Modern lip design provides low radial forces
 - Stainless Aisi 304 spring
 - Completely rubber covered outer diameter
- Nitrile Rubber (NBR)
 * Good heat resistance up to 120C in oil.
 * High tensile strength.
 * Low swelling in water.



Type A are single lip seals
 NOK type SC

Type AS are double lip seals
 NOK type TC



Sustainable and responsible production



It takes attention to many details to create sustainable and responsible production

We start our contribution by producing products, which last long and can be 100% recycled

We continuously develop and innovate our products to be durable even in harsh environments

We continuously develop and design our products to be durable even in harsh environments

Member of NHK Group

NHK Group, Denmark

📍 Staermosevej, 5610 Assens, Denmark
☎ +45 8988 2828
✉ maildk@nhkgroup.eu - www.nhkmachineryparts.com

NHK Group, Germany

📍 Hamburger Landstraße, 21357 Lüneburg, Germany
☎ +45 8988 2828
✉ mailde@nhkgroup.eu - www.nhkmachineryparts.com

NHK Group, United Kingdom

📍 Marsh Way, Rainham, RM13 8EU, United Kingdom
☎ +44 2036 950896
✉ mailuk@nhkgroup.eu - www.nhkmachineryparts.com

NHK Group, Hong Kong

📍 Nathan Road, Kowloon, Hong Kong
☎ +852 3175 7937
✉ mailhk@nhkgroup.eu - www.nhkmachineryparts.com

